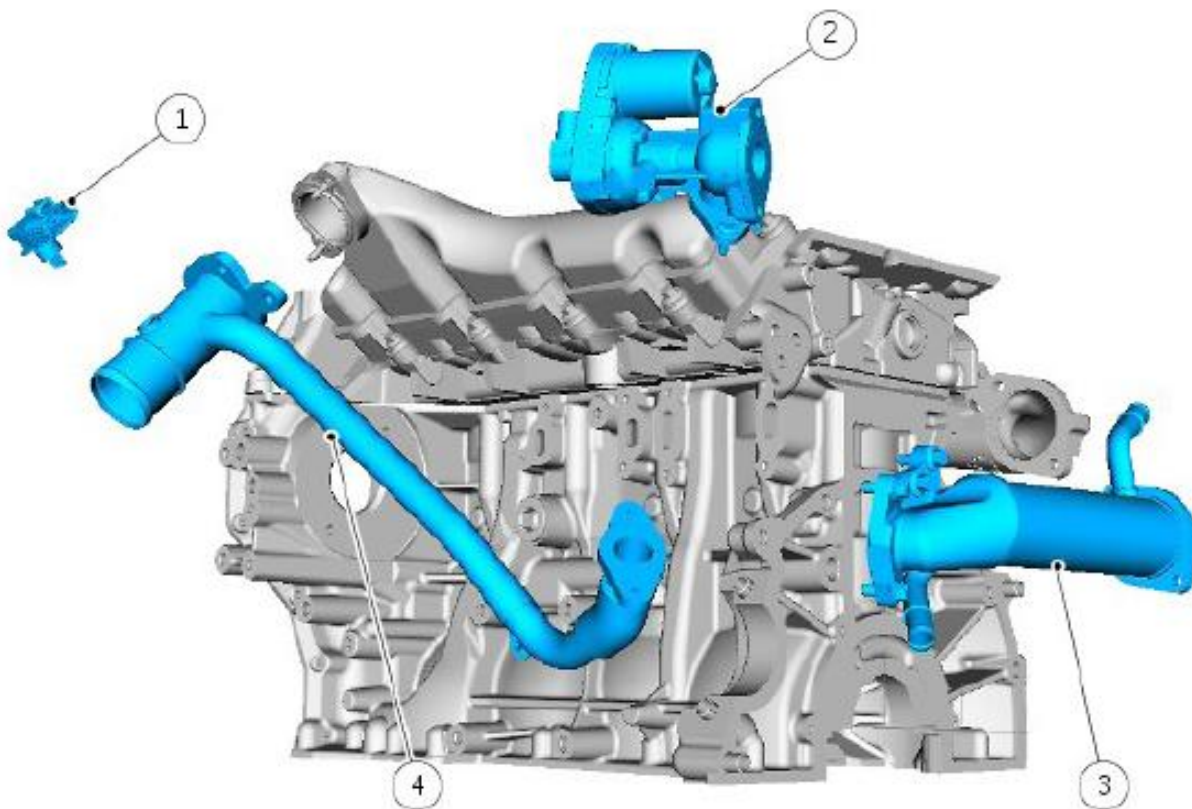


Engine Emission Control - 2.4L Duratorq-TDCi HPCR (103kW/140PS) - Puma - Engine Emission Control

Description and Operation

exhaust gas recirculation (EGR) COMPONENT LOCATION



E63622

Item	Part Number	Description
1	-	manifold absolute pressure (MAP) sensor (shown for location purposes only)
2	-	EGR valve
3	-	EGR cooler
4	-	Gas transfer and mixer pipes