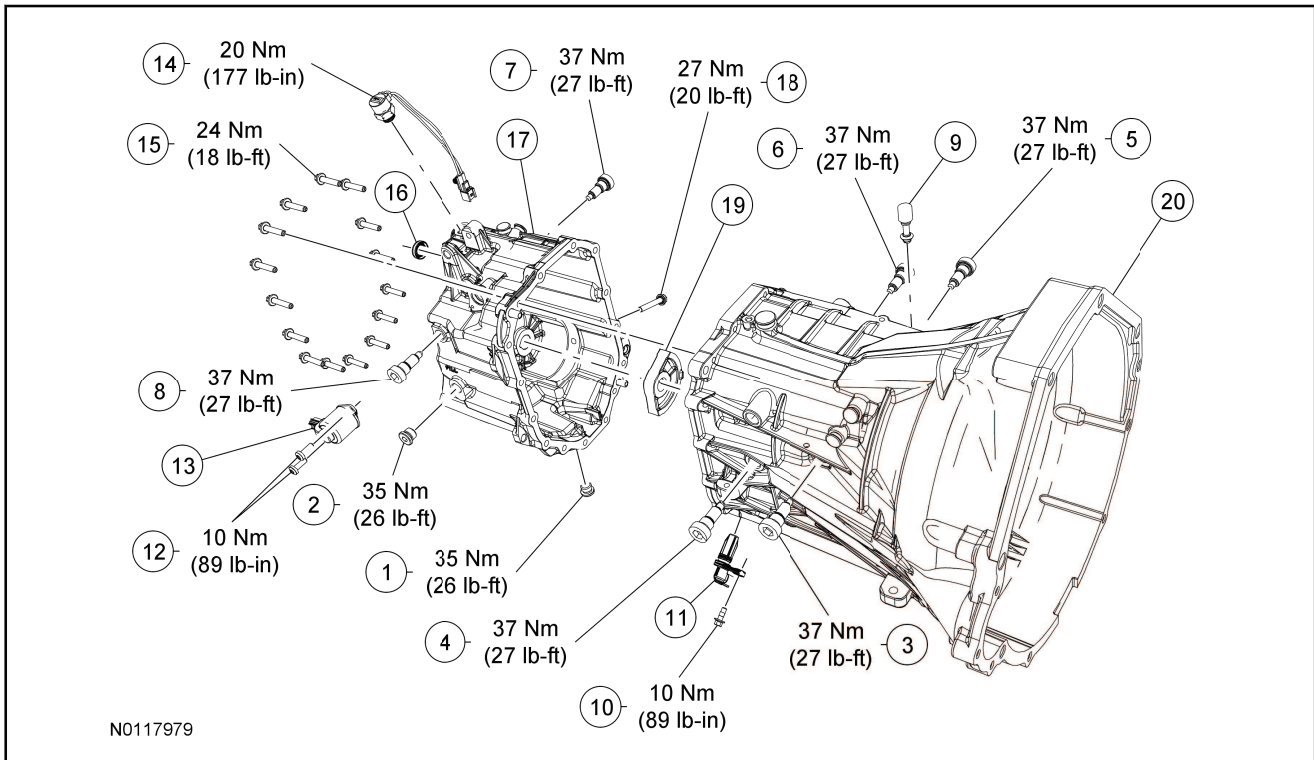


**Transmission Case**

**Material**

Item	Specification
Motorcraft® Full Synthetic Manual Transmission Fluid XT-M5-QS	WSD-M2C200-C



Item	Part Number	Description
1	W701065	Drain plug
2	W701065	Fill plug
3	—	RH 5th/6th gear shift fork pivot bolt
4	—	RH 3rd/4th gear shift fork pivot bolt
5	—	LH 5th/6th gear shift fork pivot bolt
6	—	LH 3rd/4th gear shift fork pivot bolt
7	—	LH reverse shift fork pivot bolt
8	—	RH reverse shift fork pivot bolt
9	—	Vent tube
10	—	Output Shaft Speed (OSS) sensor bolt
11	7H103	OSS sensor
12	W714875	Skip shift solenoid bolts (5.0L [4V] engines)
13	7G136	Skip shift solenoid (5.0L [4V] engines)
14	15520	Reverse lamp switch
15	—	Transmission case bolts
16	—	Main selector shaft seal
17	7K400	Rear transmission case
18	—	Reverse idler gear mount bolt
19	—	Reverse idler gear mount
20	7005	Front transmission case