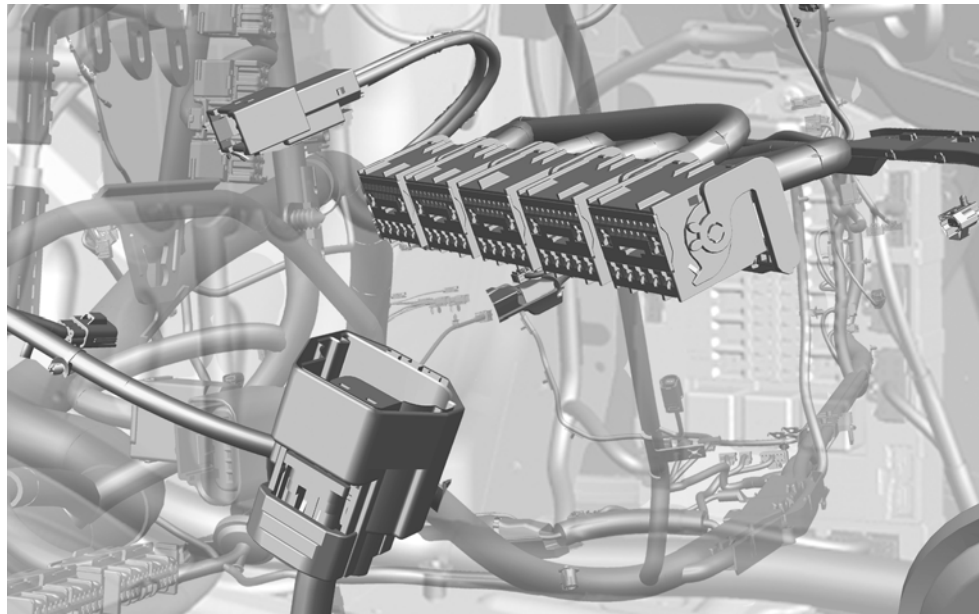




Electrical Wiring Diagrams



Defender (LHD)

VIN: 751063 >



BY APPOINTMENT TO
HER MAJESTY QUEEN ELIZABETH II
MANUFACTURERS OF LAND ROVER VEHICLES
LAND ROVER, WARWICK



BY APPOINTMENT TO
HIS ROYAL HIGHNESS THE DUKE OF EDINBURGH
MANUFACTURERS OF LAND ROVER VEHICLES
LAND ROVER, WARWICK



BY APPOINTMENT TO
HIS ROYAL HIGHNESS THE PRINCE OF WALES
MANUFACTURERS OF LAND ROVER VEHICLES
LAND ROVER, WARWICK

Electrical Wiring Diagrams

Defender (LHD)

Published by Technical Communications, Land Rover
Publication Part No. JLR 13 30 21_2E, 08 2008

PREFACE

While every effort is made to ensure accuracy, design changes to the vehicle may be made in the period between the completion of this publication and the introduction of vehicles.

All rights reserved. No part of this publication may be reproduced, stored in a retrieval system or transmitted in any form, electronic, mechanical, recording or other means without prior written permission from Land Rover.

Paper copies of this document are uncontrolled, always refer to the electronic source material for the latest information.

© 2008 Land Rover

CONTENTS

ABBREVIATIONS	2	415-00 - INFORMATION AND ENTERTAINMENT SYSTEM	50
USING THIS PUBLICATION		417-01 - EXTERIOR LIGHTING	
Health and safety	3	Rear fog guard lamps	51
Using this publication	3	Turn signal indicators and hazard flashers	53
Section numbering	3	Trailer socket	56
Circuit sheet numbering	3	Stop and reverse lamps	58
Understanding the circuit diagrams	3	Headlamp levelling	61
206-09 - ANTI-LOCK CONTROL	5	Head/Side lamps	62
303-06 - STARTING SYSTEM		417-02 - INTERIOR LIGHTING	65
Starting and charging - D4	7	418-00 - MODULE COMMUNICATIONS NETWORK	
303-14 - ELECTRONIC ENGINE CONTROLS		Diagnostic socket	67
D4	9	419-01 - ANTI-THEFT SYSTEM	
412-01 - CLIMATE CONTROL	13	Active	68
412-02 - AUXILIARY CLIMATE CONTROL		Passive	71
Windshield heater	15	501-10 - SEATING	
Rear window heater	16	Heated - front	72
Non air conditioning	17	501-11 - GLASS, FRAMES AND MECHANISMS	
413-00 - INSTRUMENT CLUSTER AND PANEL ILLUMINATION	18	Window lift	73
413-01 - INSTRUMENT CLUSTER	20	501-12 - INSTRUMENT PANEL AND CONSOLE	
413-06 - HORN	23	Cigar lighter	74
413-07 - CLOCK	24		75
414-01 - BATTERY, MOUNTING AND CABLES		501-16 - WIPERS AND WASHERS	
Header joints	25	Rear	76
Battery junction box	30	Front	77
Splices	36		
Ground distribution	44		

ABBREVIATIONS

Abbreviation	Description
ABS	Anti-lock braking system
ADRC	Adaptive damping
AFS	Adaptive front lighting system
AUTO	Automatic transmission
CAN	Controller area network
DAB	Digital audio broadcasting
DSC	Dynamic stability control
D4	Diesel engine - Straight-four
DV6	Diesel engine - V6
DV8	Diesel engine - V8
EGR	Exhaust gas recirculation
FBH	Fuel burning heater
FET	Field effect transistor
GPS	Global positioning system
HS CAN	High speed controller area network bus
IC	Instrument cluster
IP	Instrument panel
PV6	Petrol engine - V6
PV8	Petrol engine - V8
PV8NA	Naturally aspirated engine - V8
PV8SC	Super charged engine - V8
LH	Left-hand
LIN	Local interconnect network
MAF/IAT	Mass air flow / intake air temperature
IBOC	In band on channel
MS CAN	Medium speed controller area network bus
NAS	North American specification
PDC	Park distance control
RH	Right-hand
SAI	Secondary air injection
SCL	Steering column locking
SDARS	Satellite digital audio receiver system
TCM	Traction control module
TPMS	Tire pressure monitoring system

Abbreviation	Description
TSD	Touch screen display
ULEV	Ultra low emission vehicle
USB	Universal serial bus
VICS	Vehicle information control system

USING THIS PUBLICATION

Health and safety

Always follow health and safety guidelines, specifically those detailed in the Workshop Manual.

Using this publication

The information provided in this publication is for use only by competent, qualified auto-electricians. Good product knowledge is assumed, as well as the ability to access and use recommended test equipment and other reference material provided.

Test equipment and other reference material

The information in this publication should be used in conjunction with the recommended test equipment; refer to Workshop Manual. Other reference material includes: Technical Service Bulletins (TSB) and the Workshop Manual.

The Electrical Reference Library (ERL) may also prove useful since it provides detailed connector information.

Battery disconnection and reconnection

It is imperative that any information relating to battery disconnection and reconnection is followed; refer to the appropriate sections in the Workshop Manual.

Fault Diagnosis

Always use the recommended test equipment for correct and reliable fault diagnosis, refer to the Workshop Manual.

Harness Repair

Repairs should only be undertaken for connectors where a Service Repair Kit is available; refer to the appropriate Electrical Reference Library (ERL).

Note: Fibre Optic circuits cannot be repaired; refer to the Workshop Manual.

Section numbering

The sections in this publication are ordered to match the Global Outline numbering system as found in the current Workshop Manual. The Power and Ground distribution circuits can be found under section 414-01, BATTERY, MOUNTING AND CABLES.

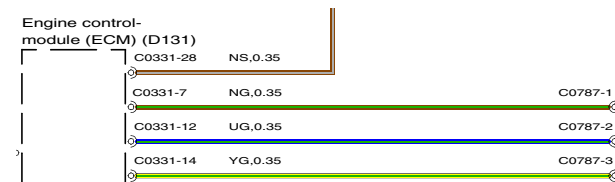
Note: Where circuit diagrams show more than one sub-system, the circuit will be located in the section that carries the first-named sub-system, for example: Starting and Charging will be located under section 303-06 Starting System, since 'Starting' is the first-named sub-system.

Circuit sheet numbering

The figures in brackets to the left of the page number indicate a circuit sheet number and the total number of sheets per circuit, for example (01 / 05) represents sheet 1 of 5.

Understanding the circuit diagrams

Components



After each component description, a translation code is displayed in brackets, for example: Starter relay (R102), Engine control-module (ECM)(D131). The codes can be ignored.

Note: A dotted outline indicates that the component identified is not shown in its entirety.

Connectors

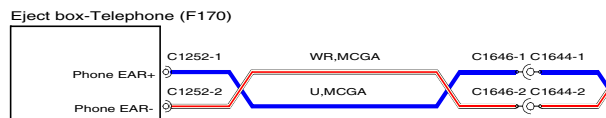
Connectors and header joints are identified by their corresponding connector number with a numbered suffix to indicate the pin-out detail of the wire, i.e. C0292-1 identifies connector 292, pin number 1. Wire insulation colours are listed in a table at the end of this section. Where wires have a predominant colour with a secondary colour tracer, the main colour is identified first, i.e. WH-BK - white with a black tracer.

Wire length (Power and Ground Distribution only)

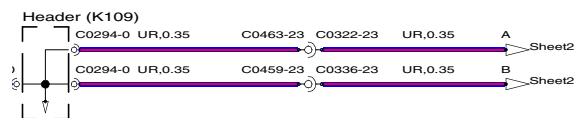
The wire length (in millimetres) is displayed after the colour and cross sectional area; for example, SR,0.35,480. In this example, the figure, 480 indicates the approximate position of the harness splice is 480mm from connector C2335.

USING THIS PUBLICATION

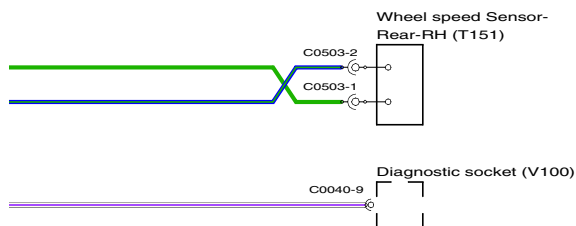
Line Types



Crossed wires as illustrated above show an example of how a twisted pair of wires may be represented on the circuits.



The arrows illustrated above show an example of the page break symbols, identifying that the circuit continues at the corresponding letter on the sheet number indicated.



The cup and ball symbol represents the male and female halves of connector. Most connectors plug directly into a component but some are wired directly to the component using a 'flylead' as with C0503 above.

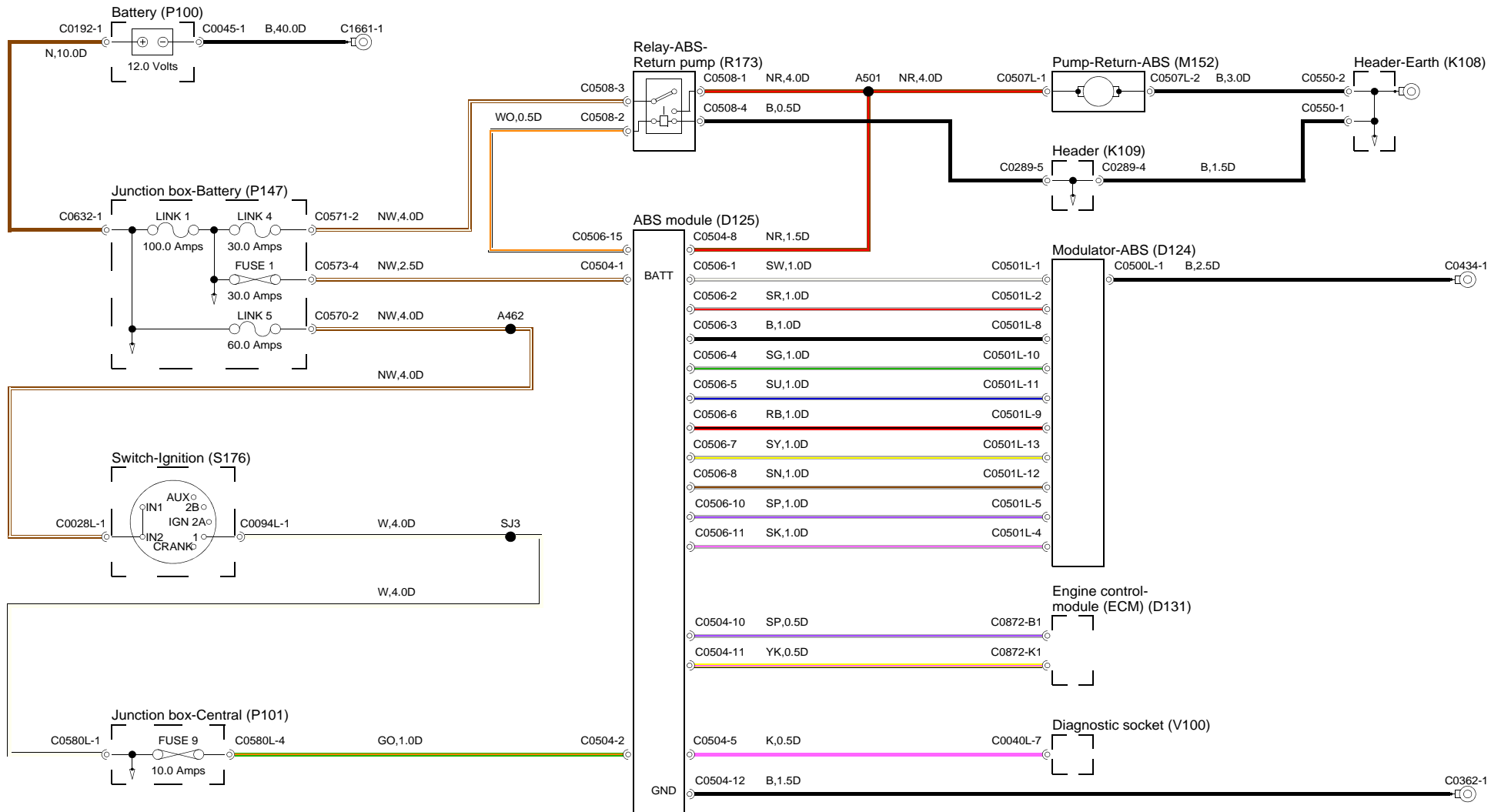
Ground points

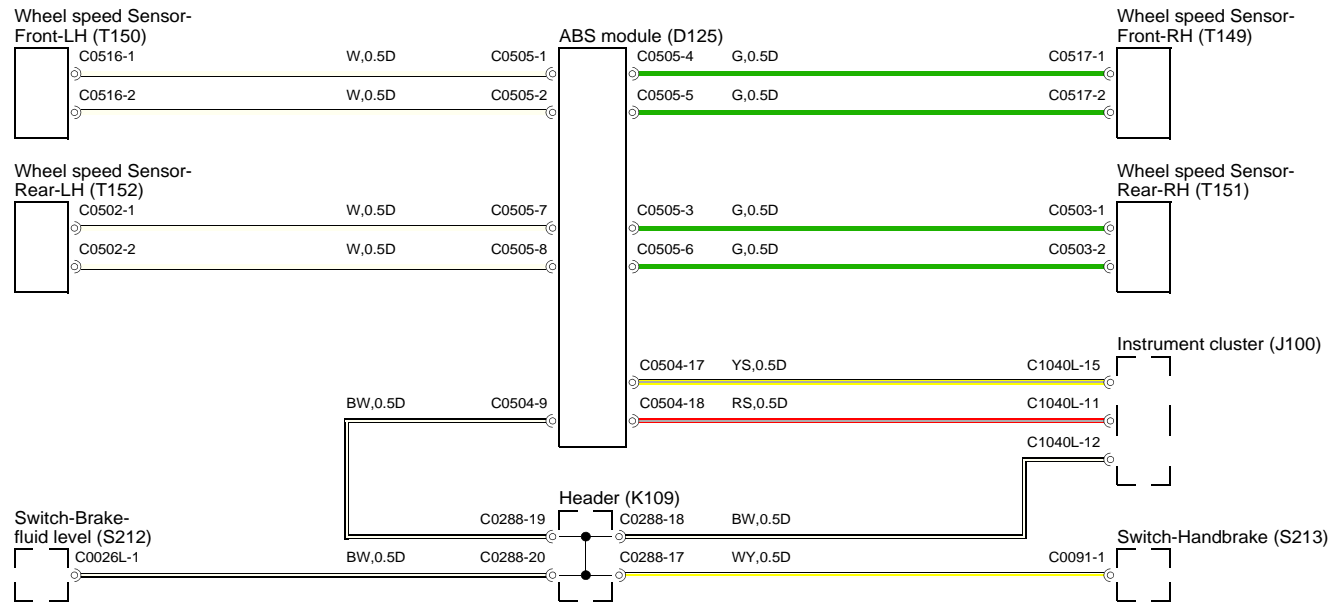
Ground points are identified with an eyelet symbol and a connector number, except where components are grounded through its fixings, when only the eyelet is shown.

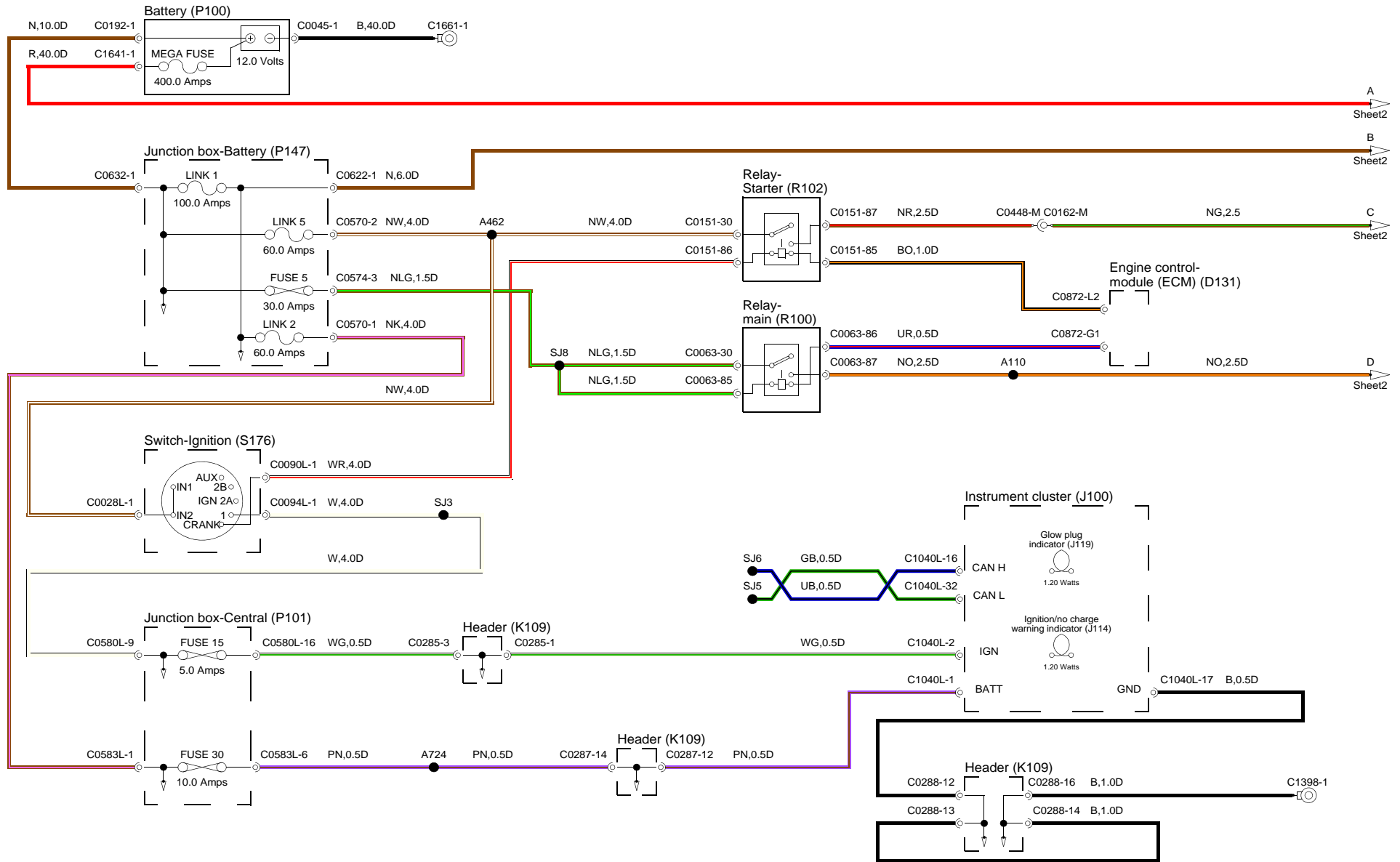
Colour Codes

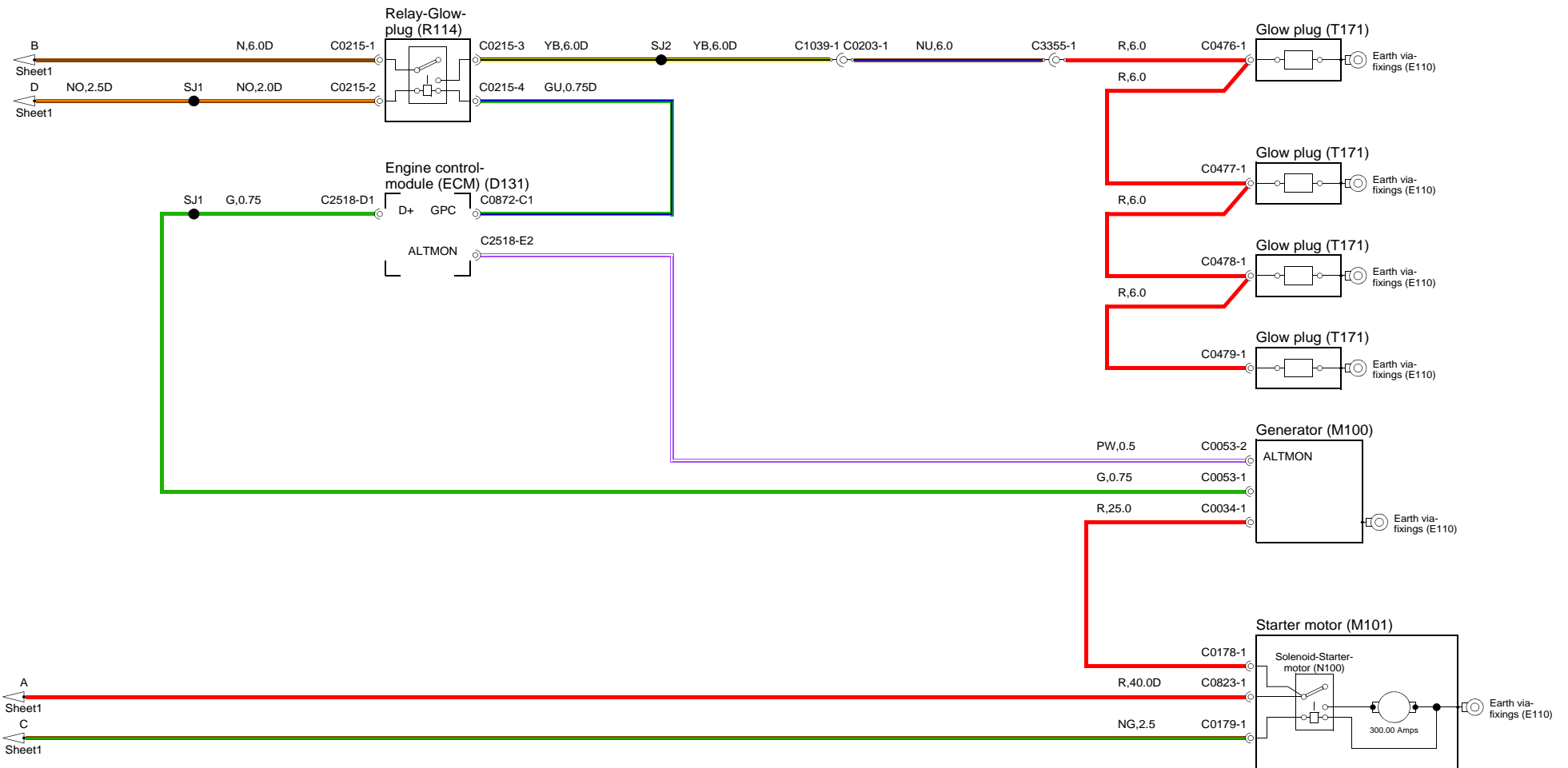
CODE	COLOUR
BK or B	BLACK
BN or N	BROWN
BU or U	BLUE
GN or G	GREEN
GY or S	GREY (slate)
OG or O	ORANGE
PK or K	PINK
RD or R	RED
VT or P	PURPLE
WH or W	WHITE
YE or Y	YELLOW

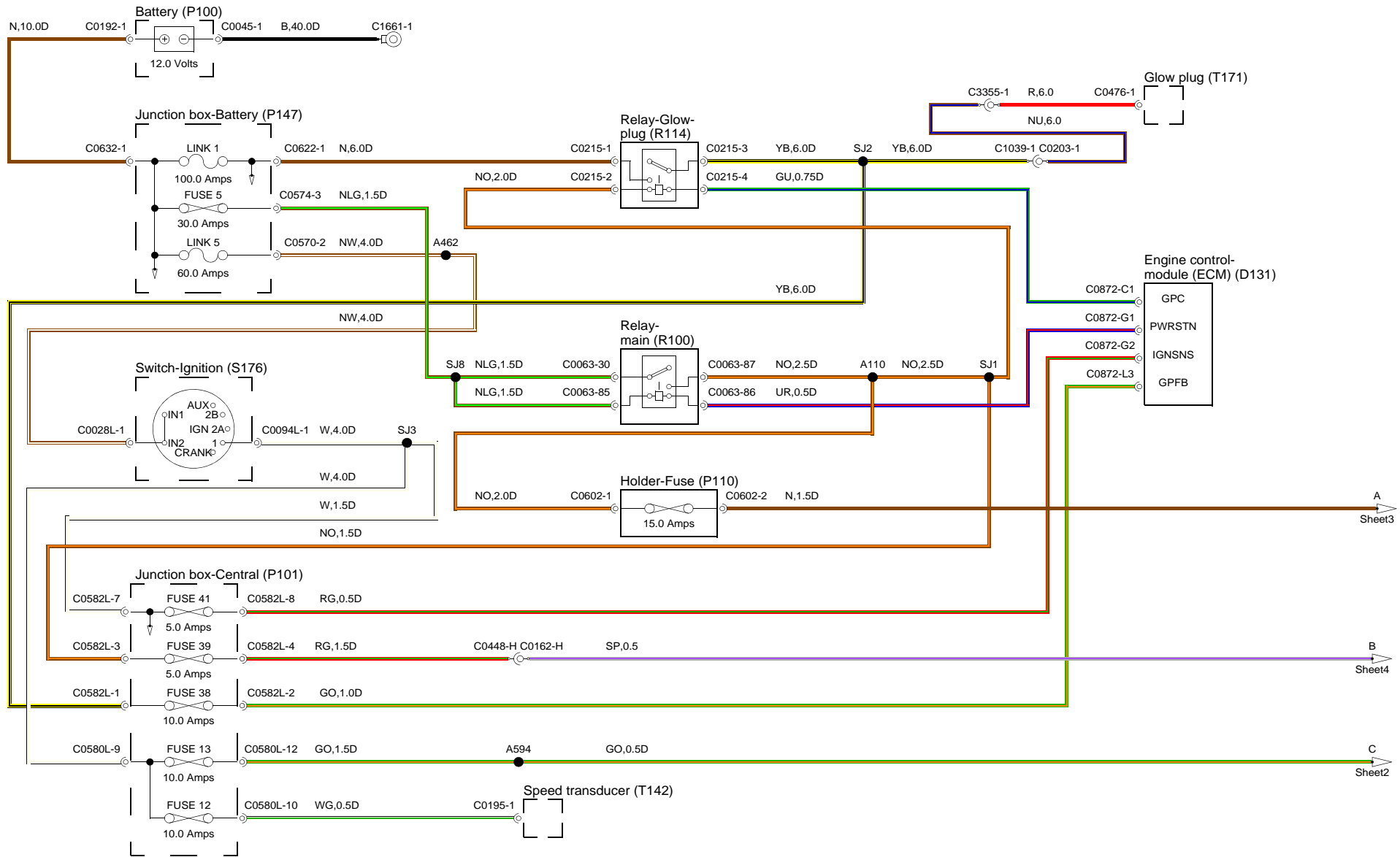
206-09 - ANTI-LOCK CONTROL

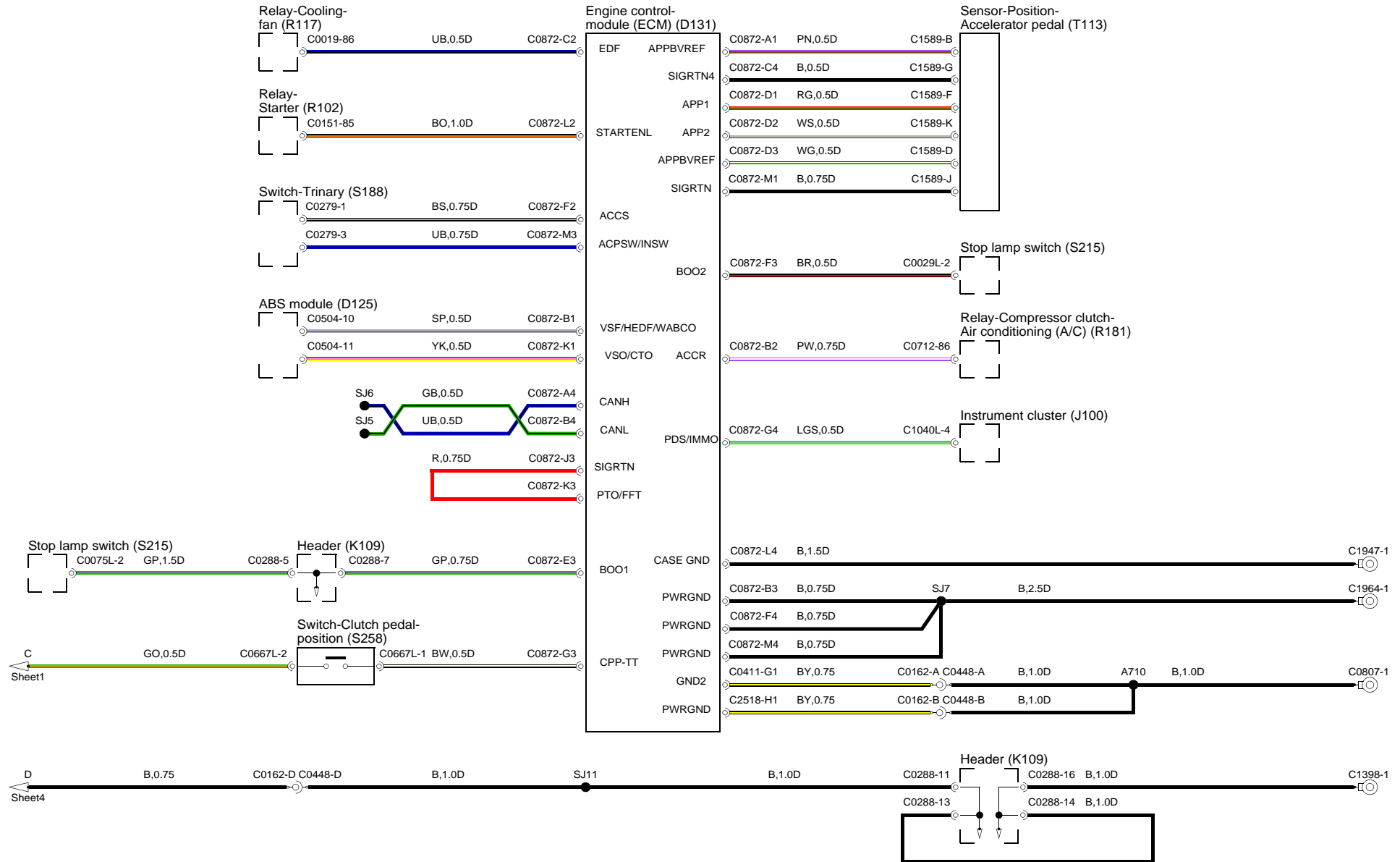


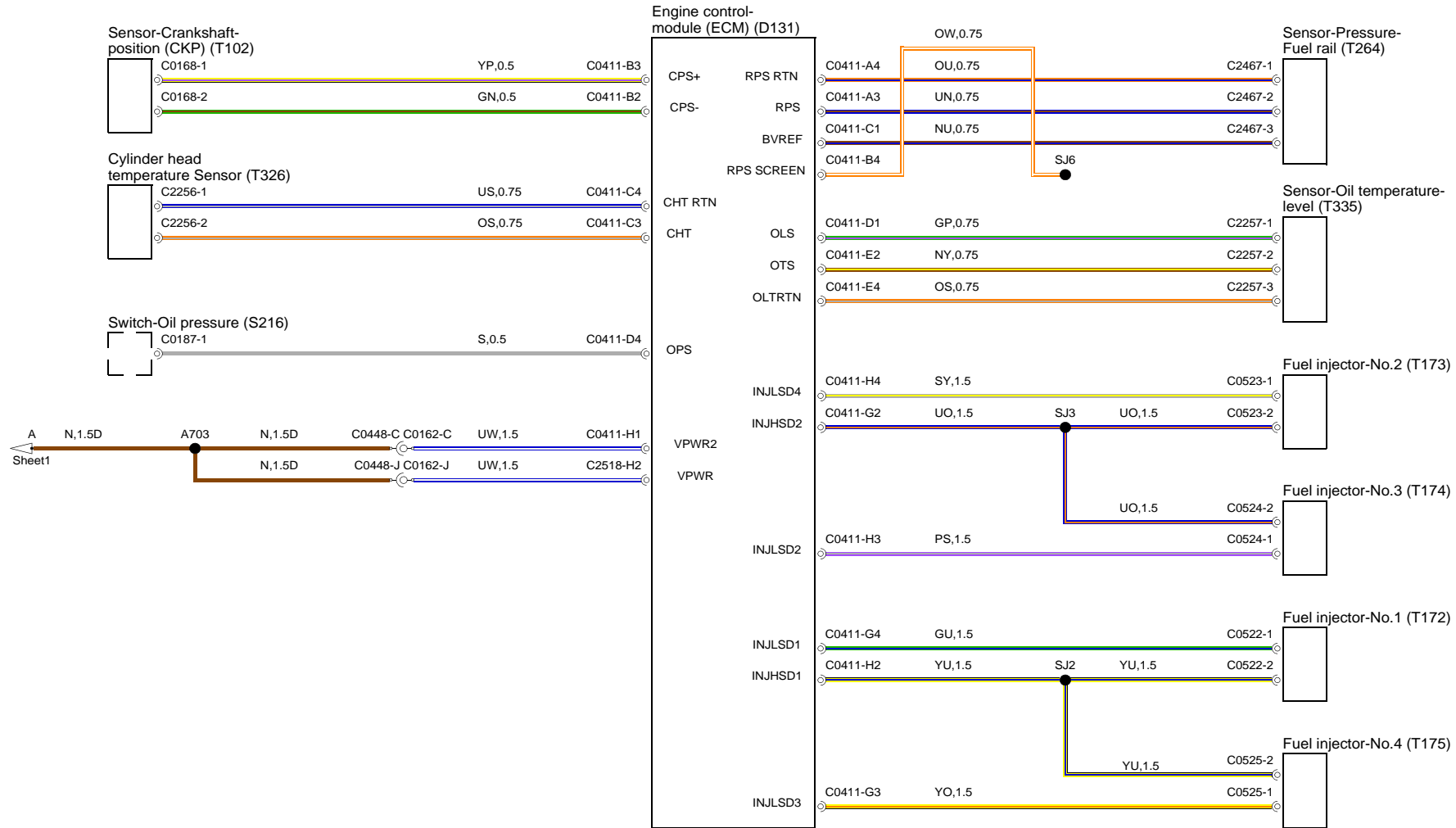


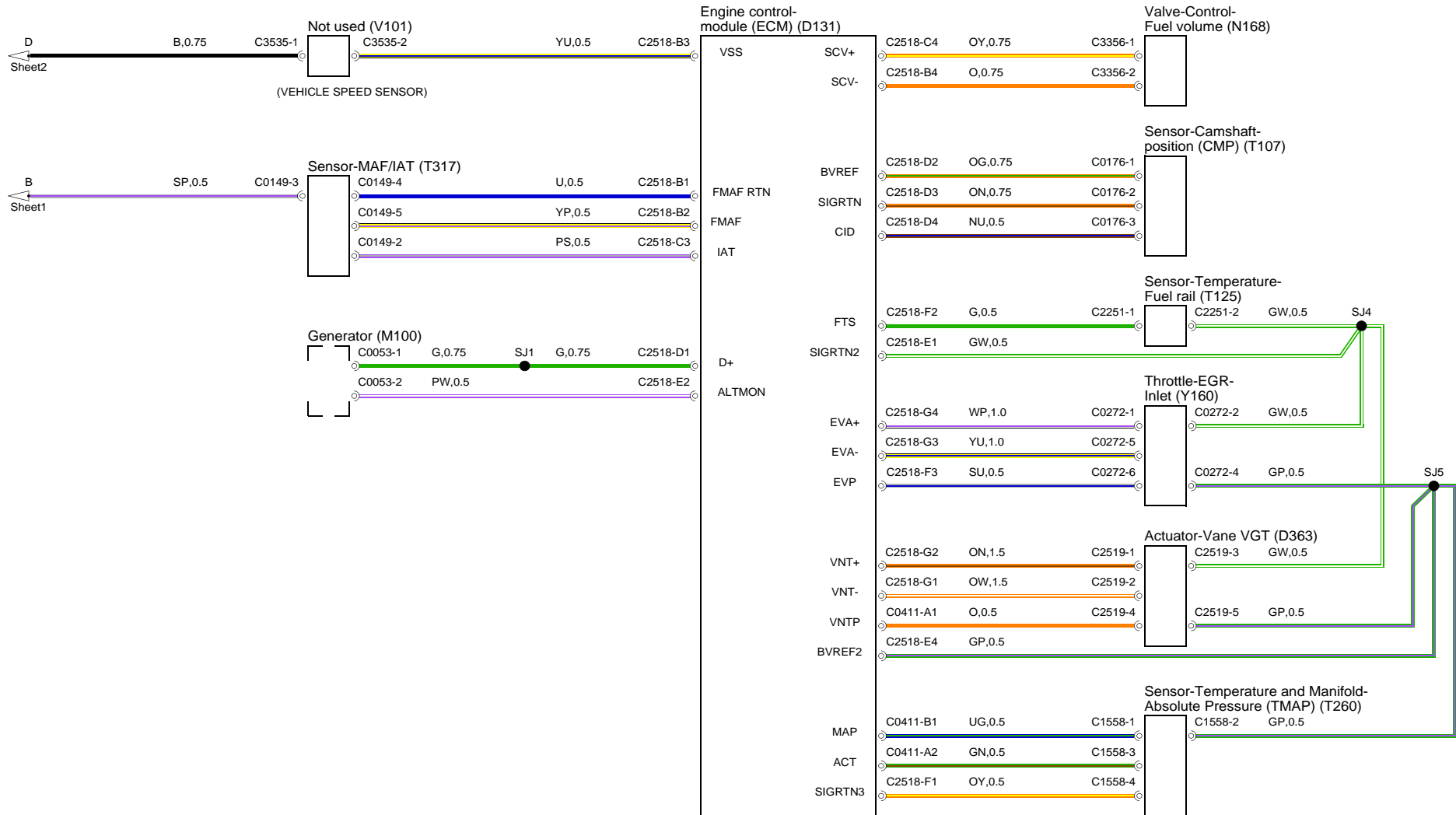




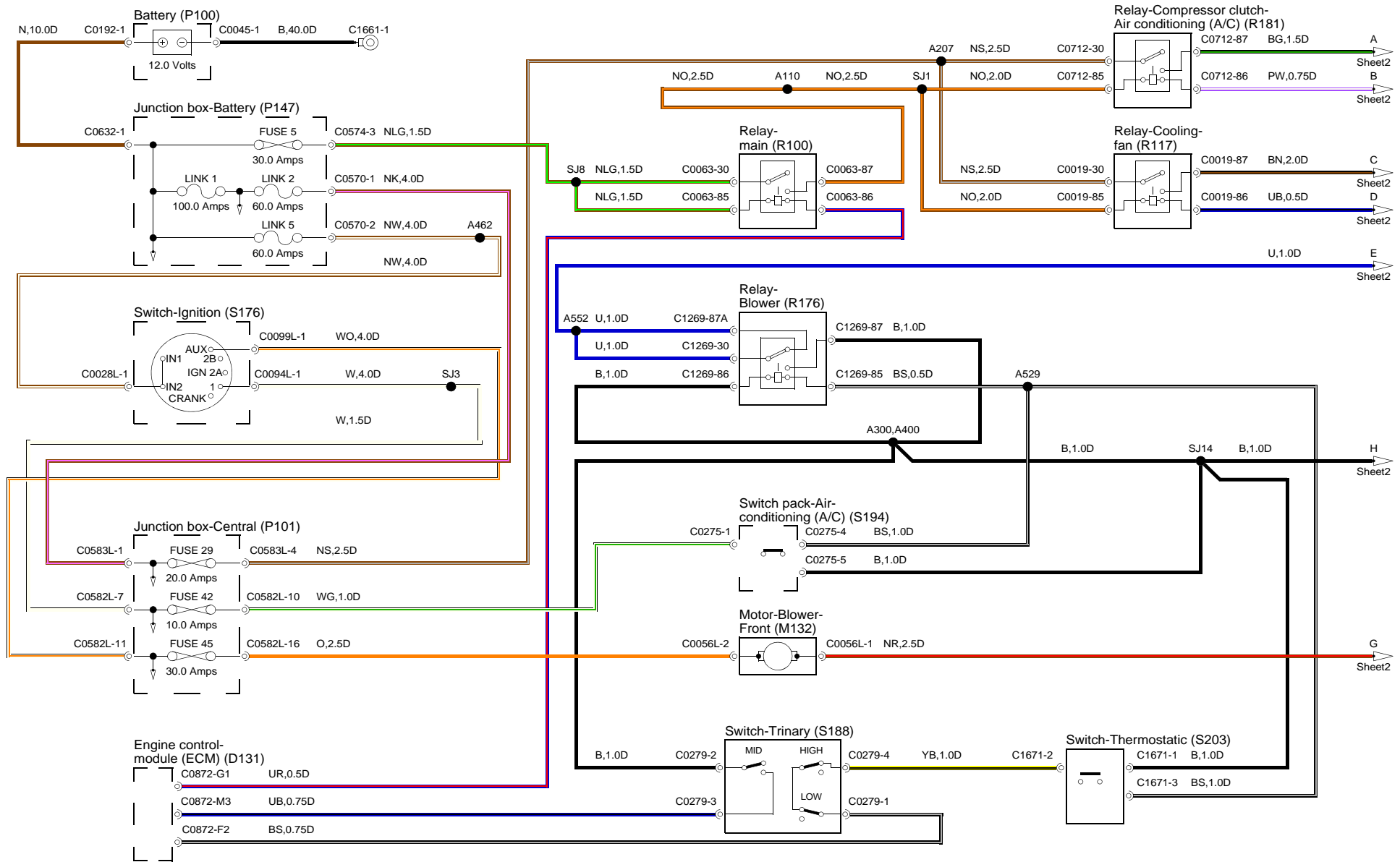


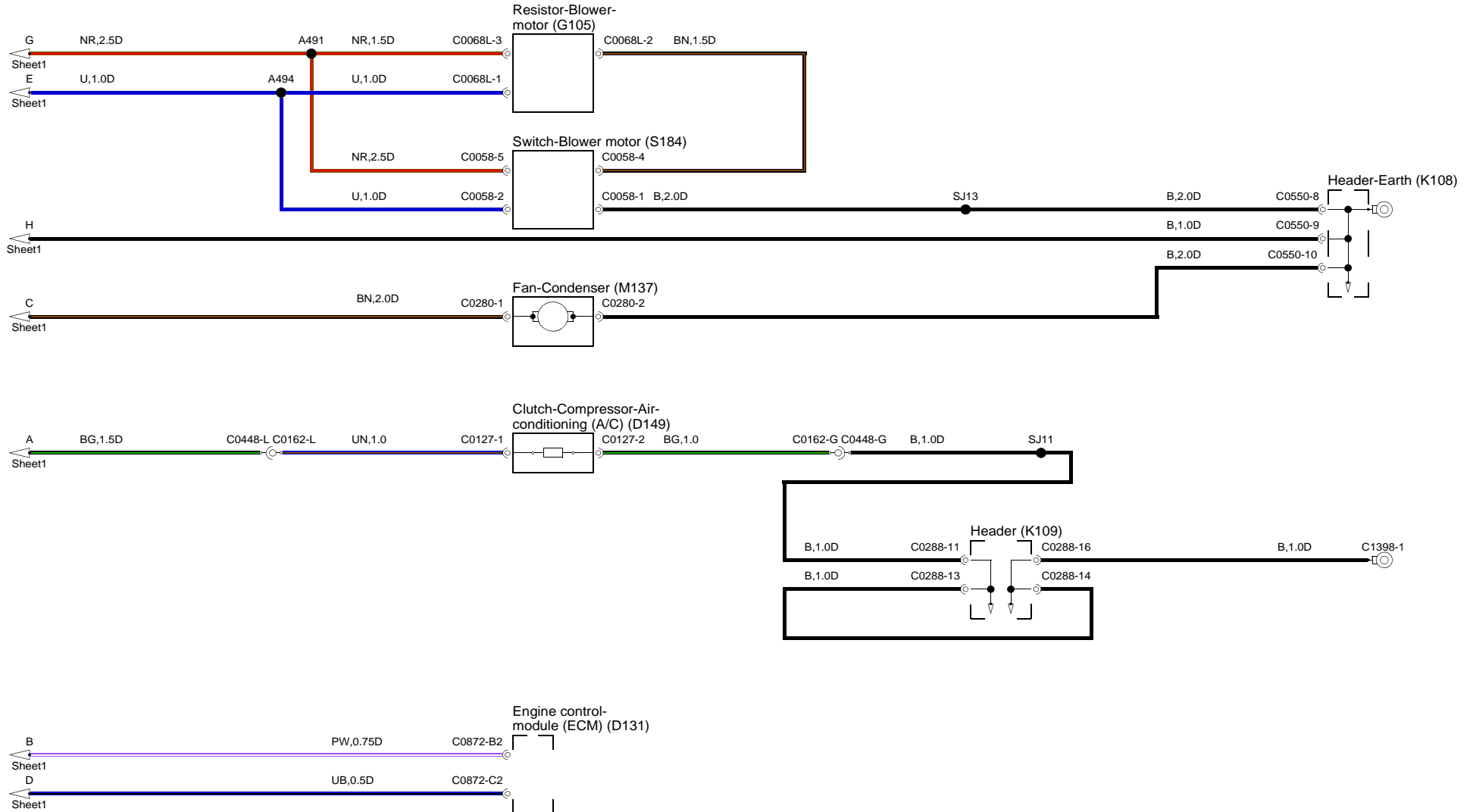


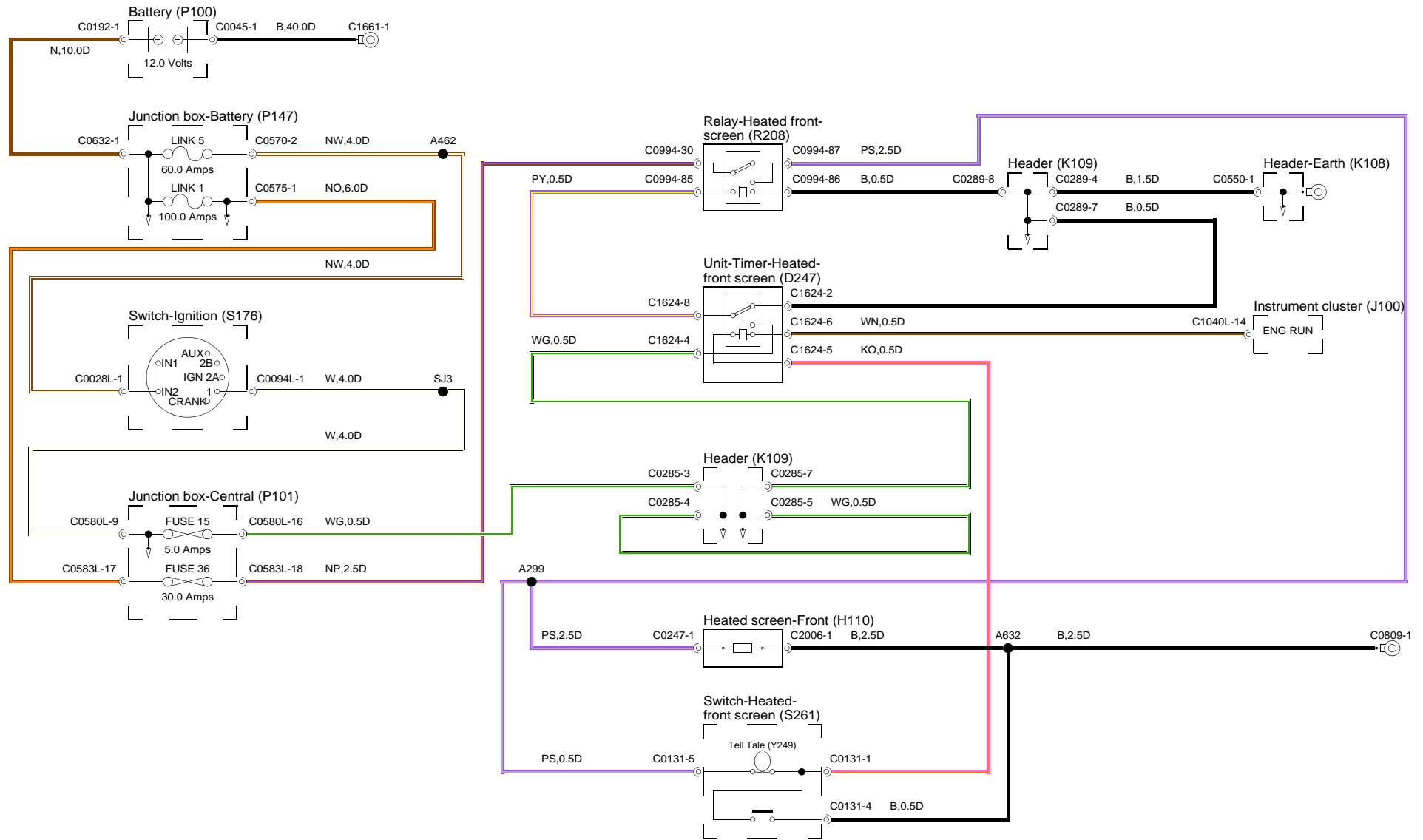


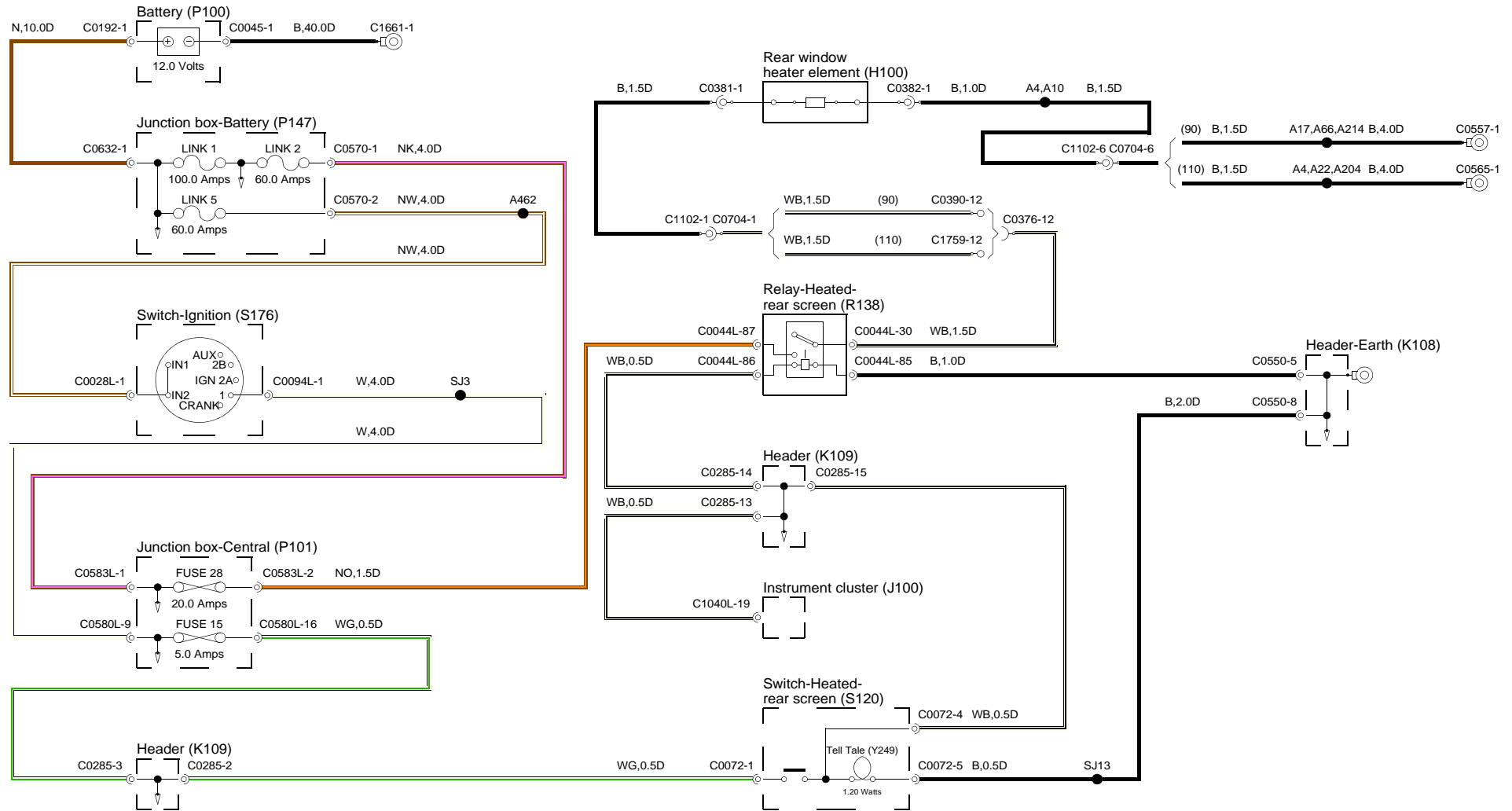


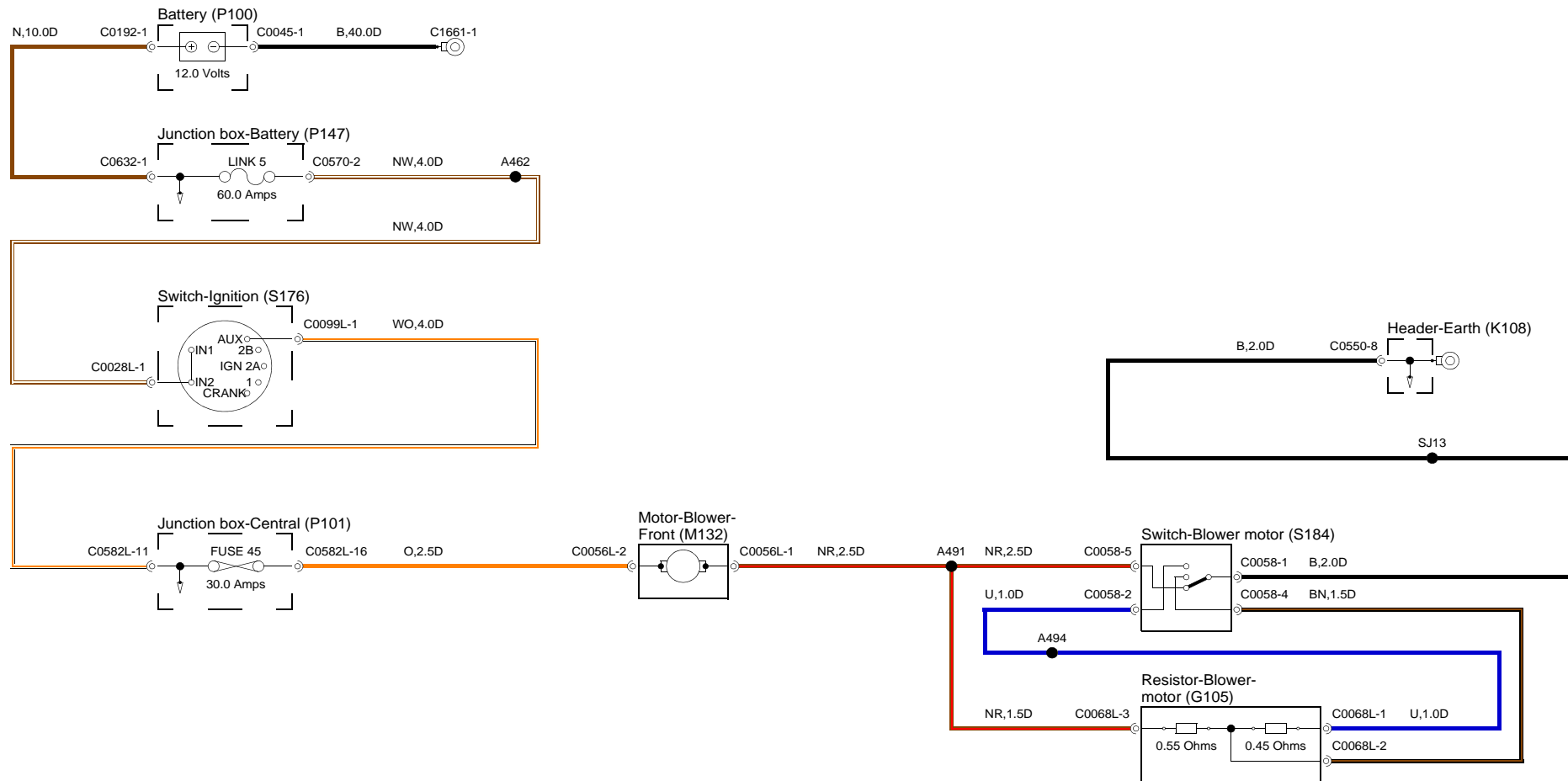
412-01 - CLIMATE CONTROL



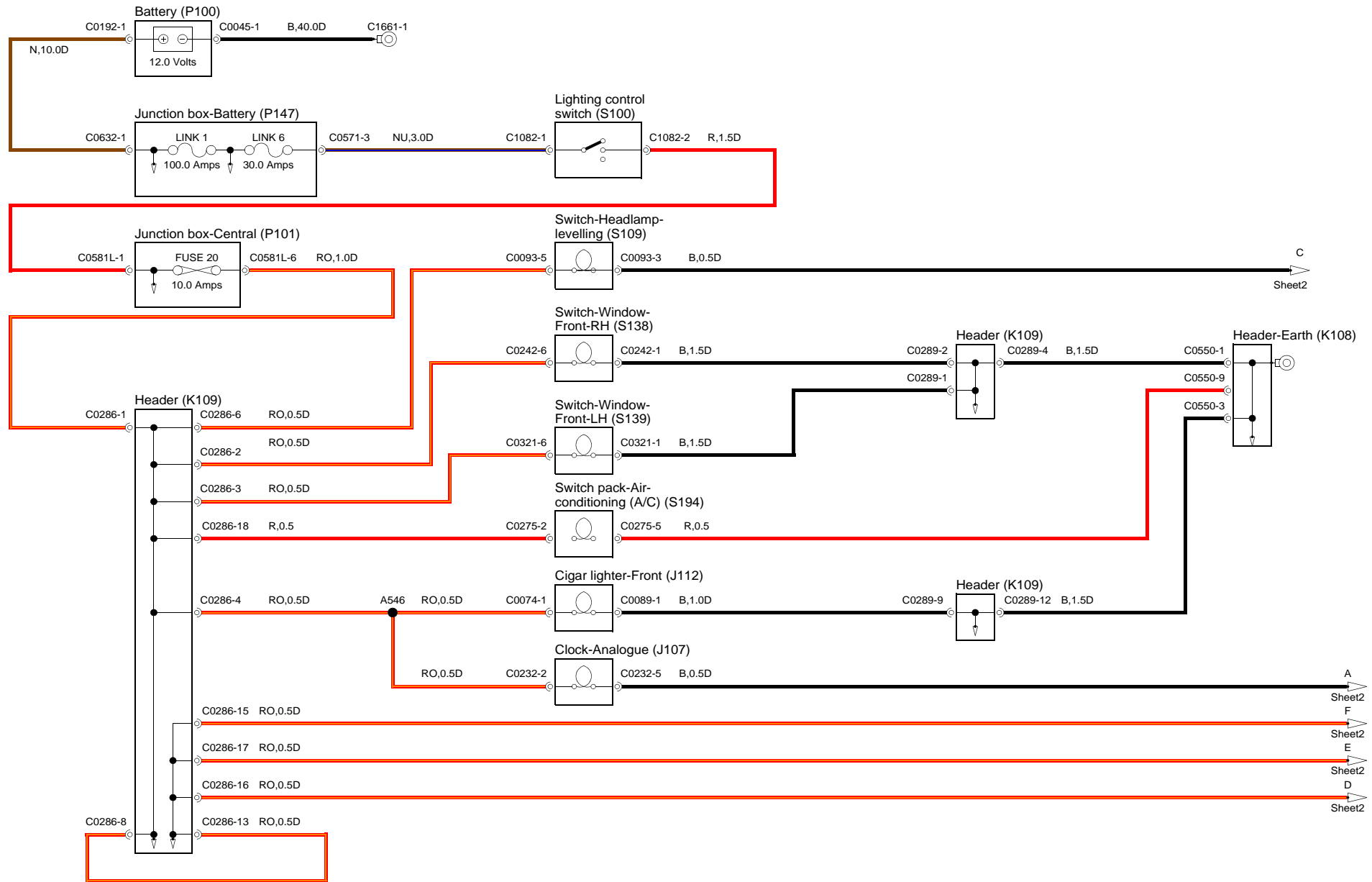




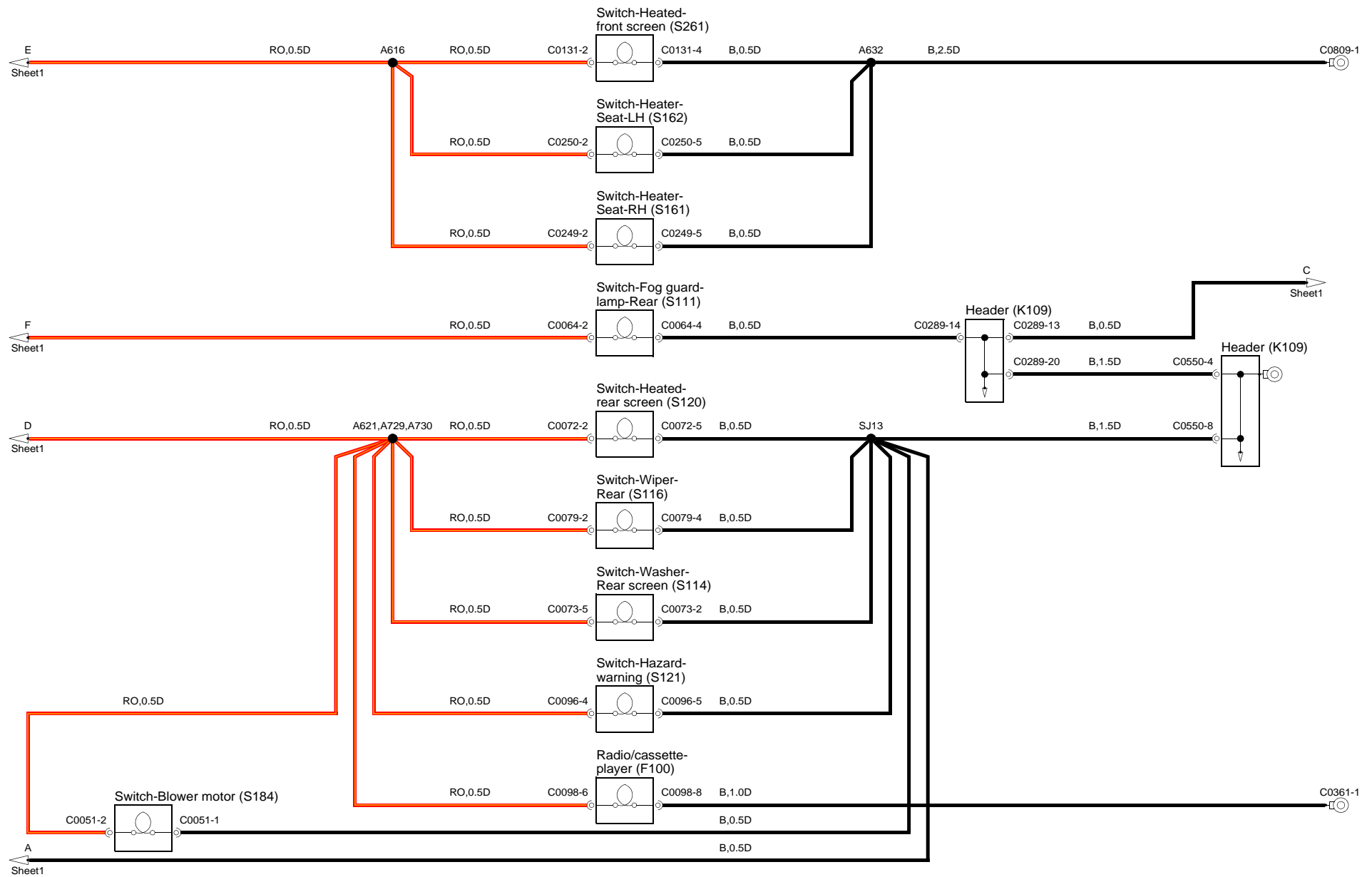




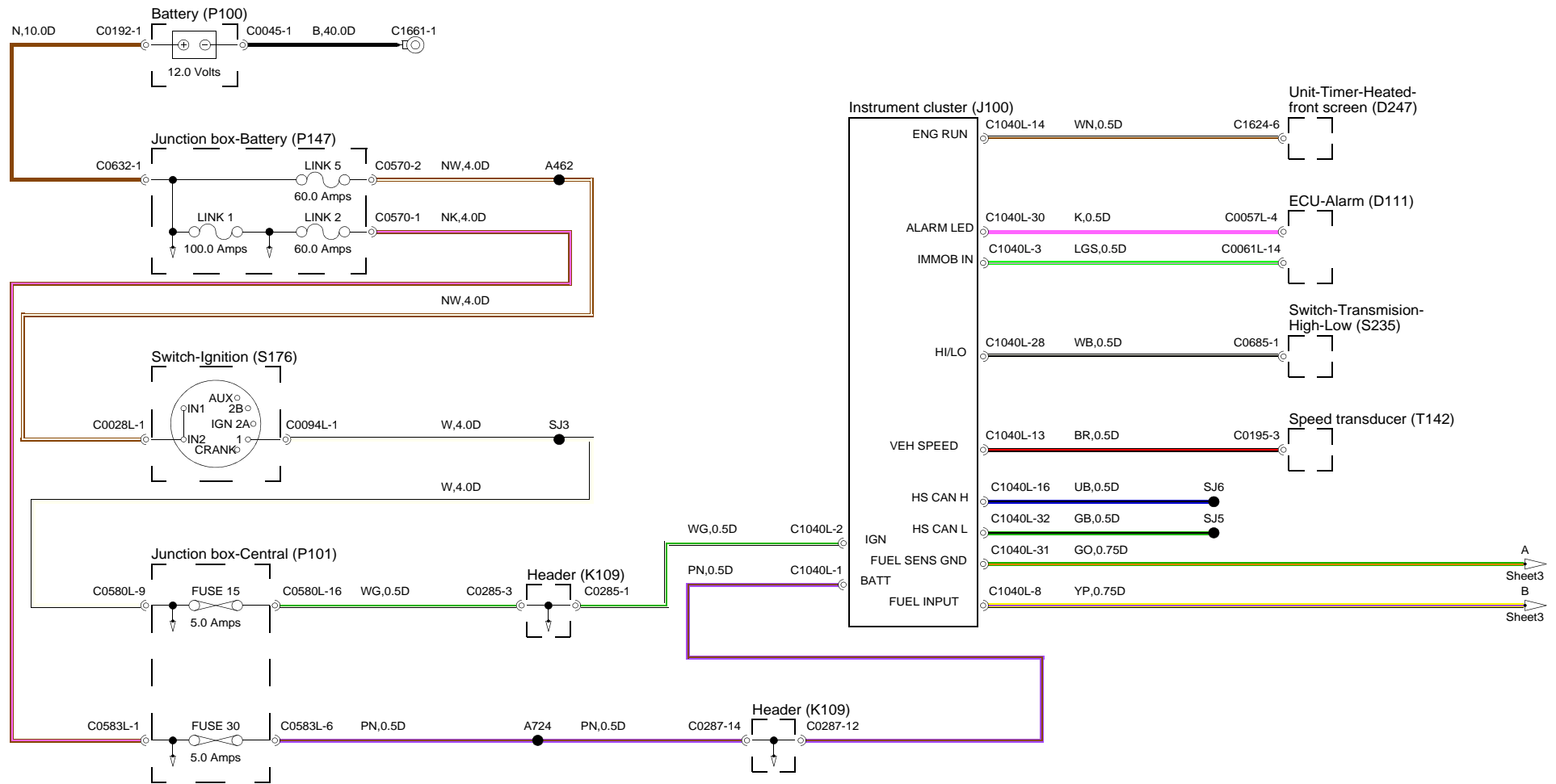
413-00 - INSTRUMENT CLUSTER AND PANEL ILLUMINATION



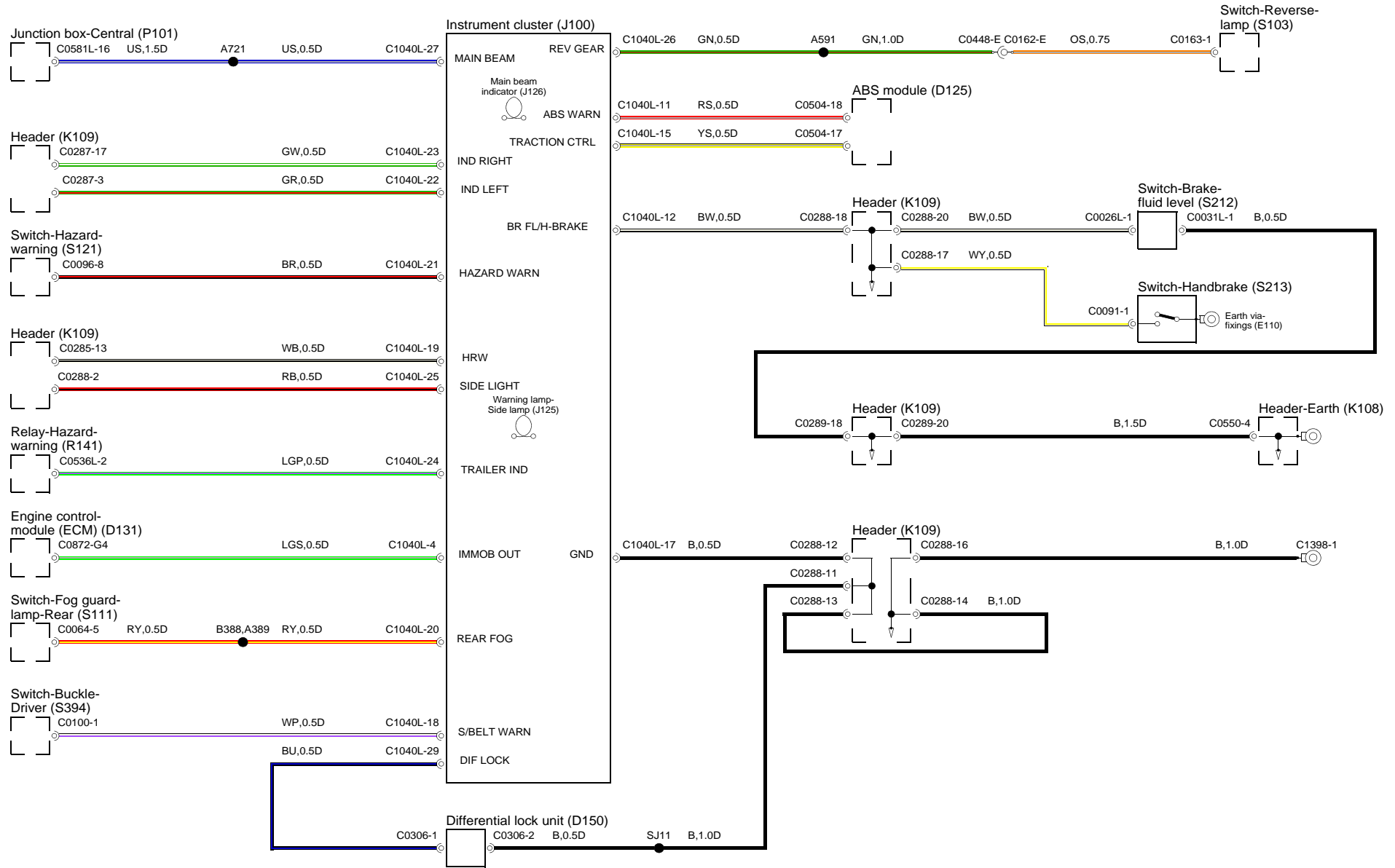
413-00 - INSTRUMENT CLUSTER AND PANEL ILLUMINATION

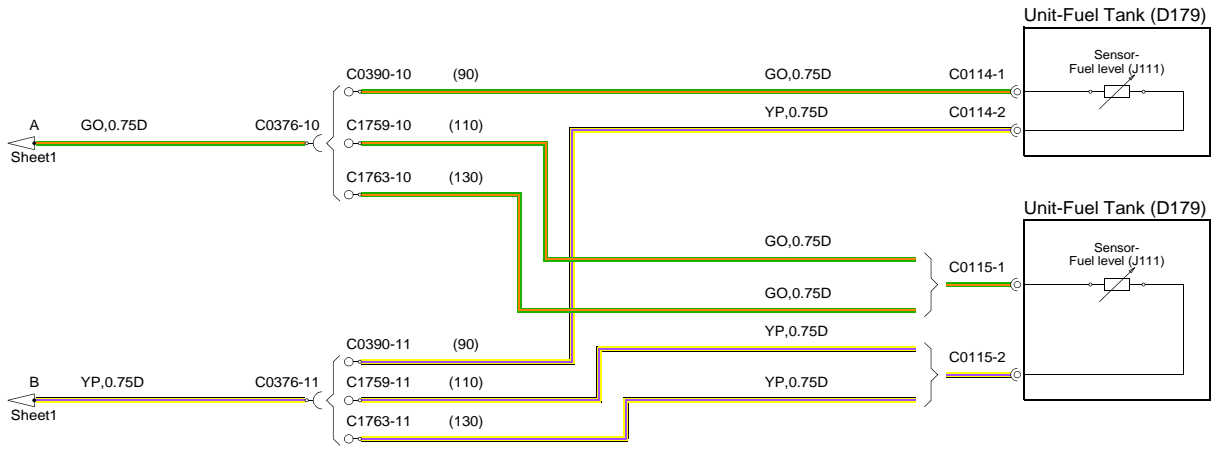


413-01 - INSTRUMENT CLUSTER

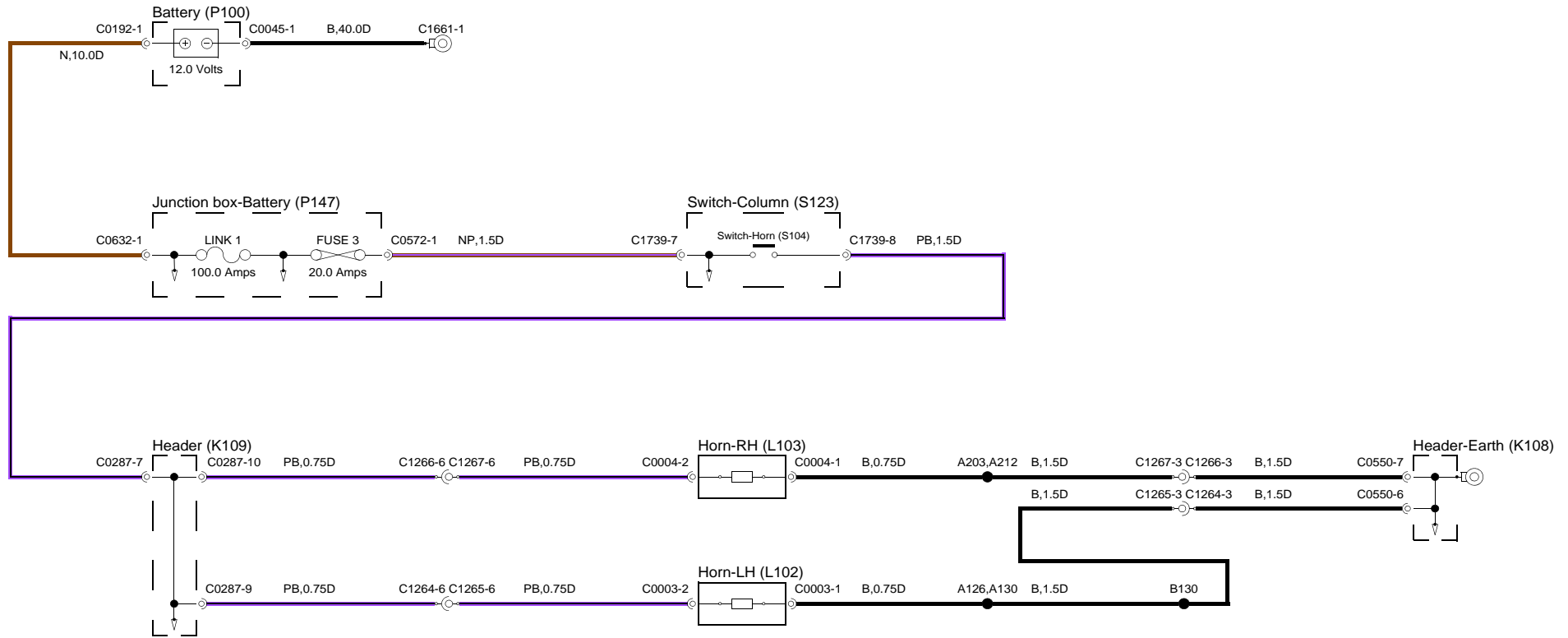


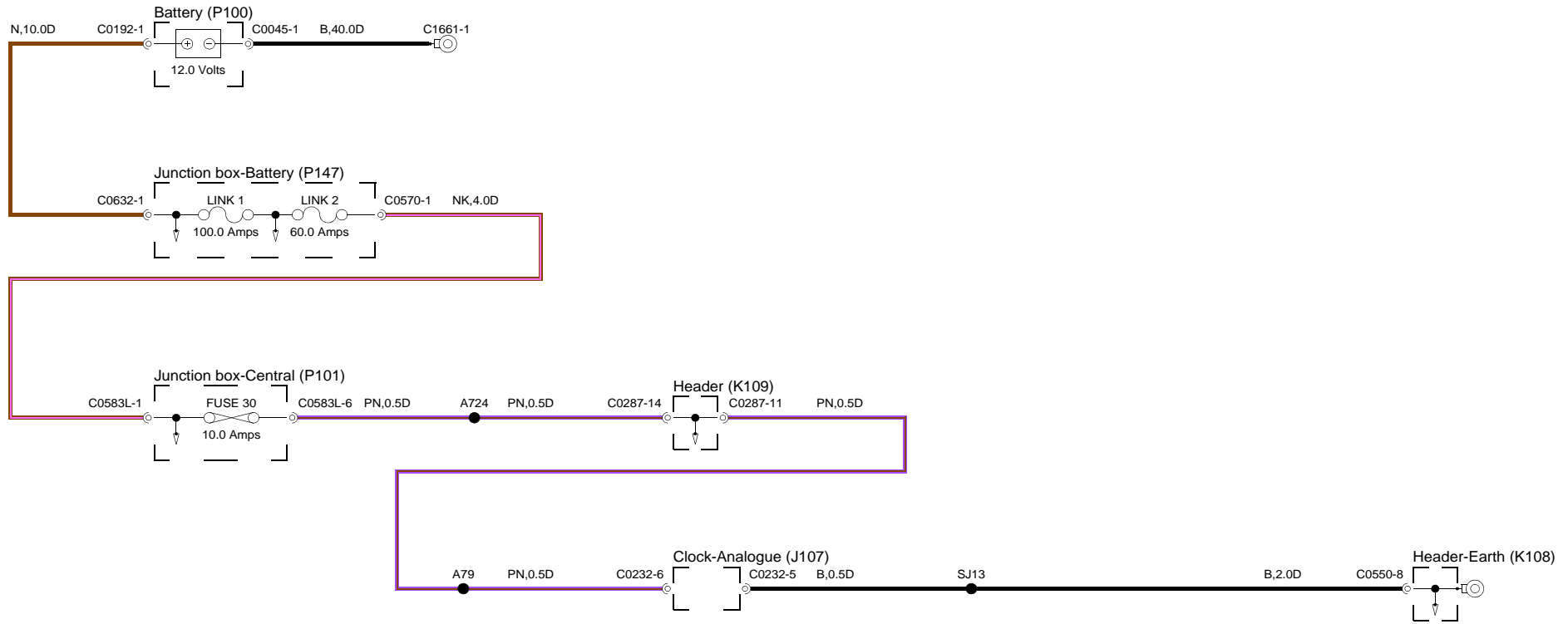
413-01 - INSTRUMENT CLUSTER

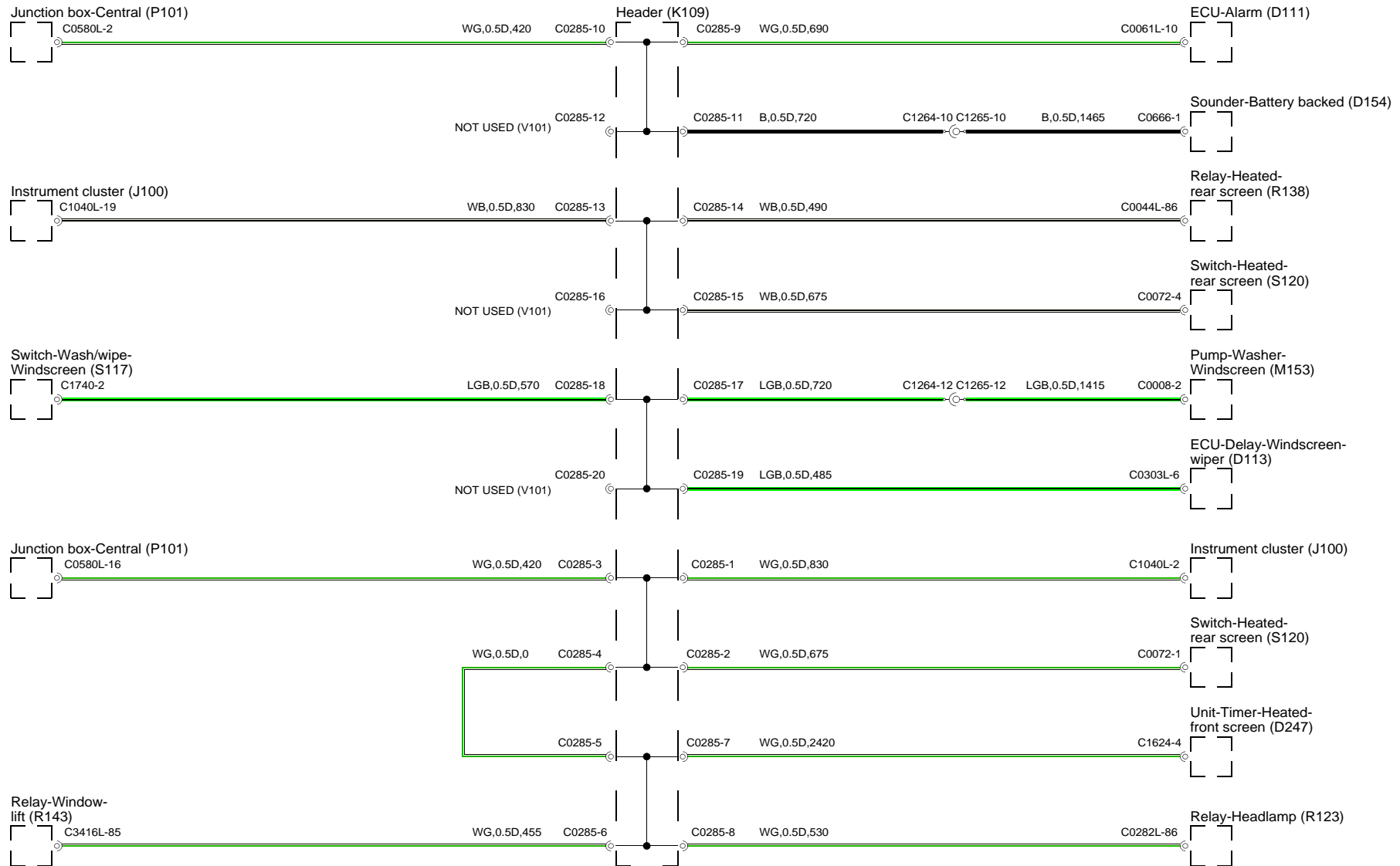


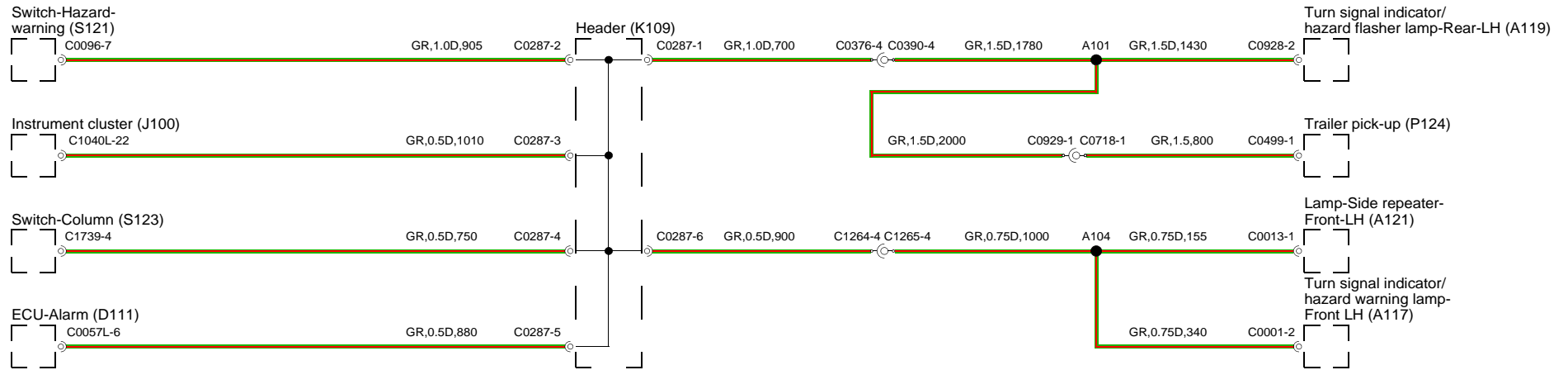


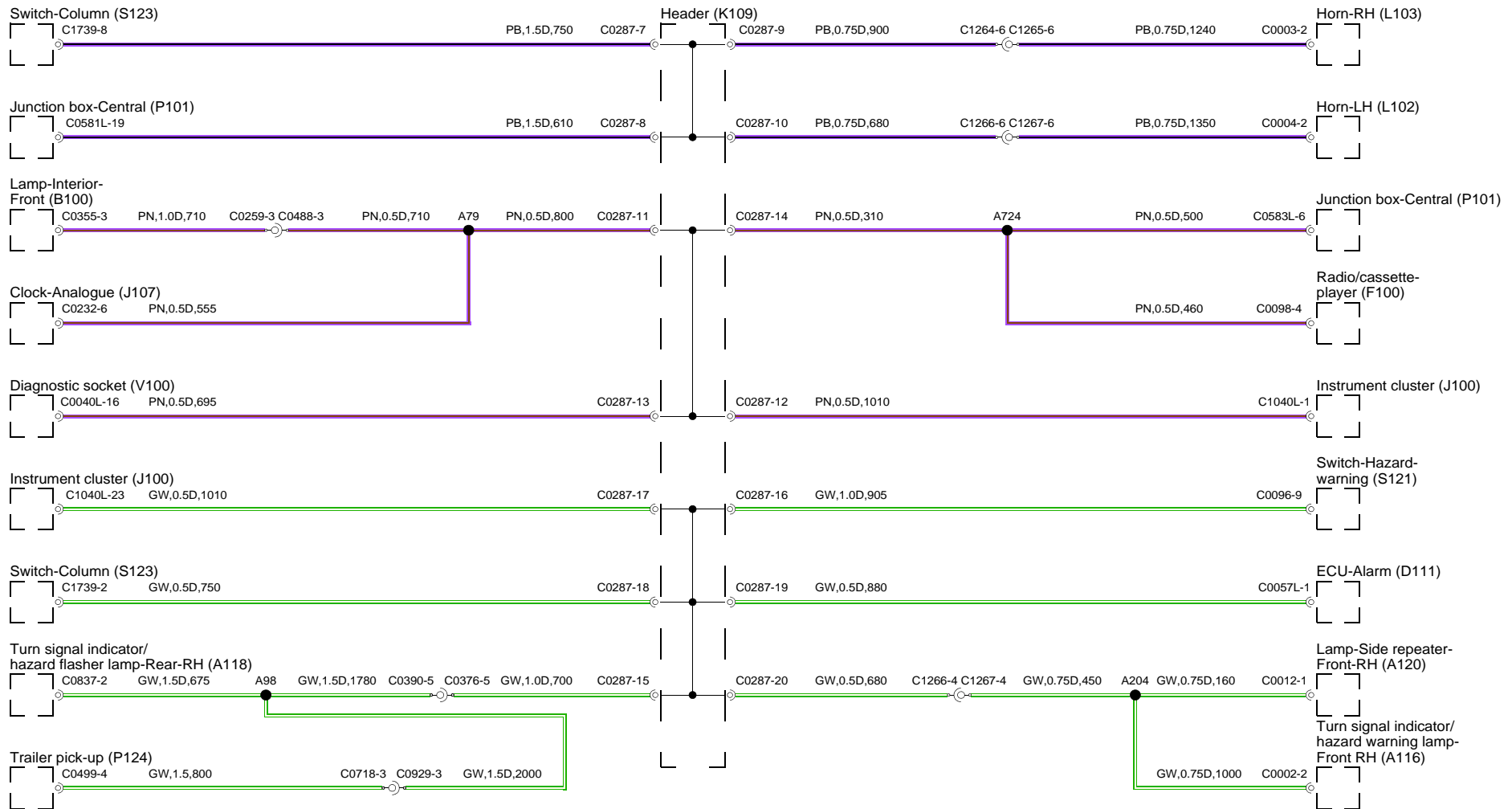
413-06 - HORN

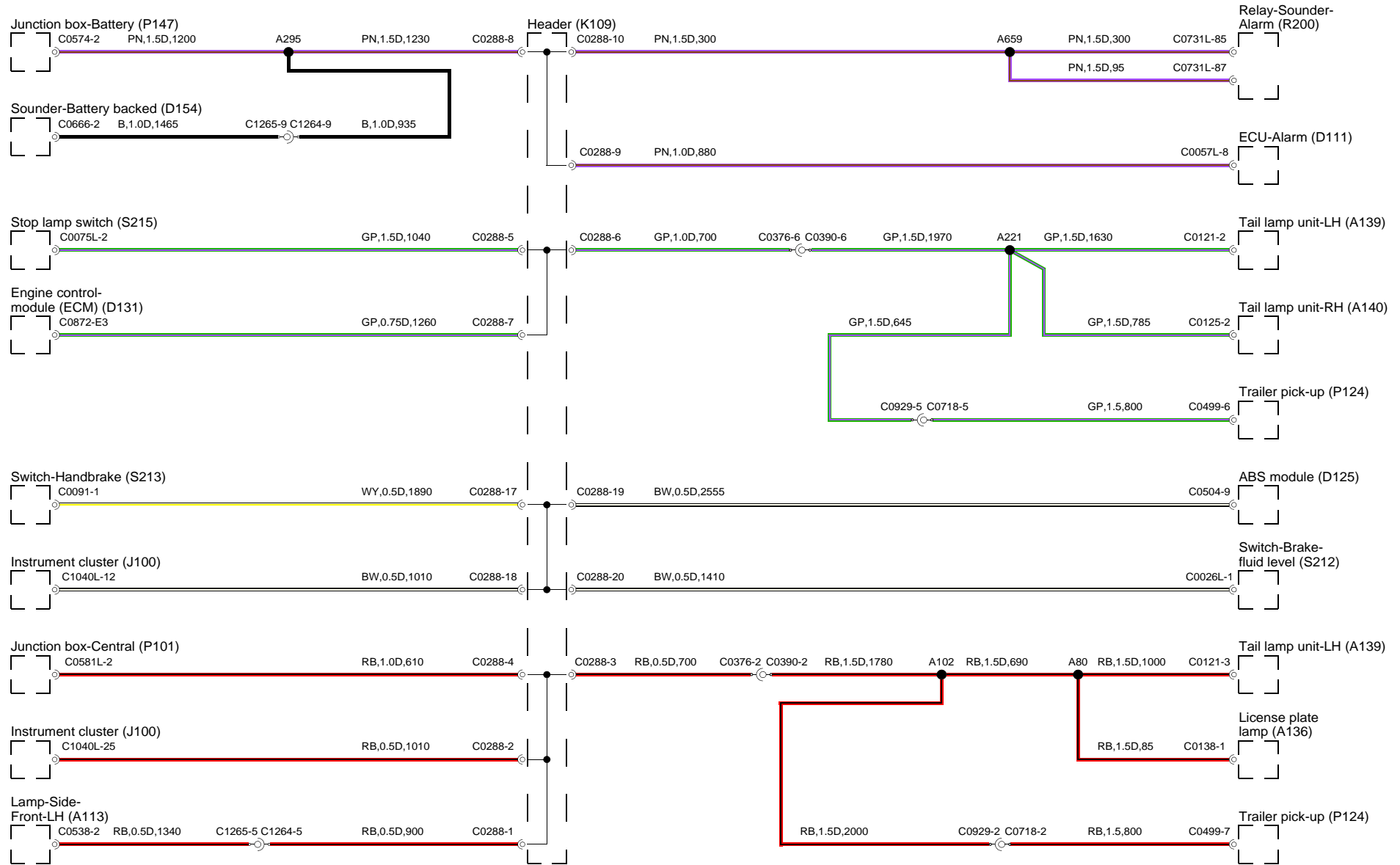


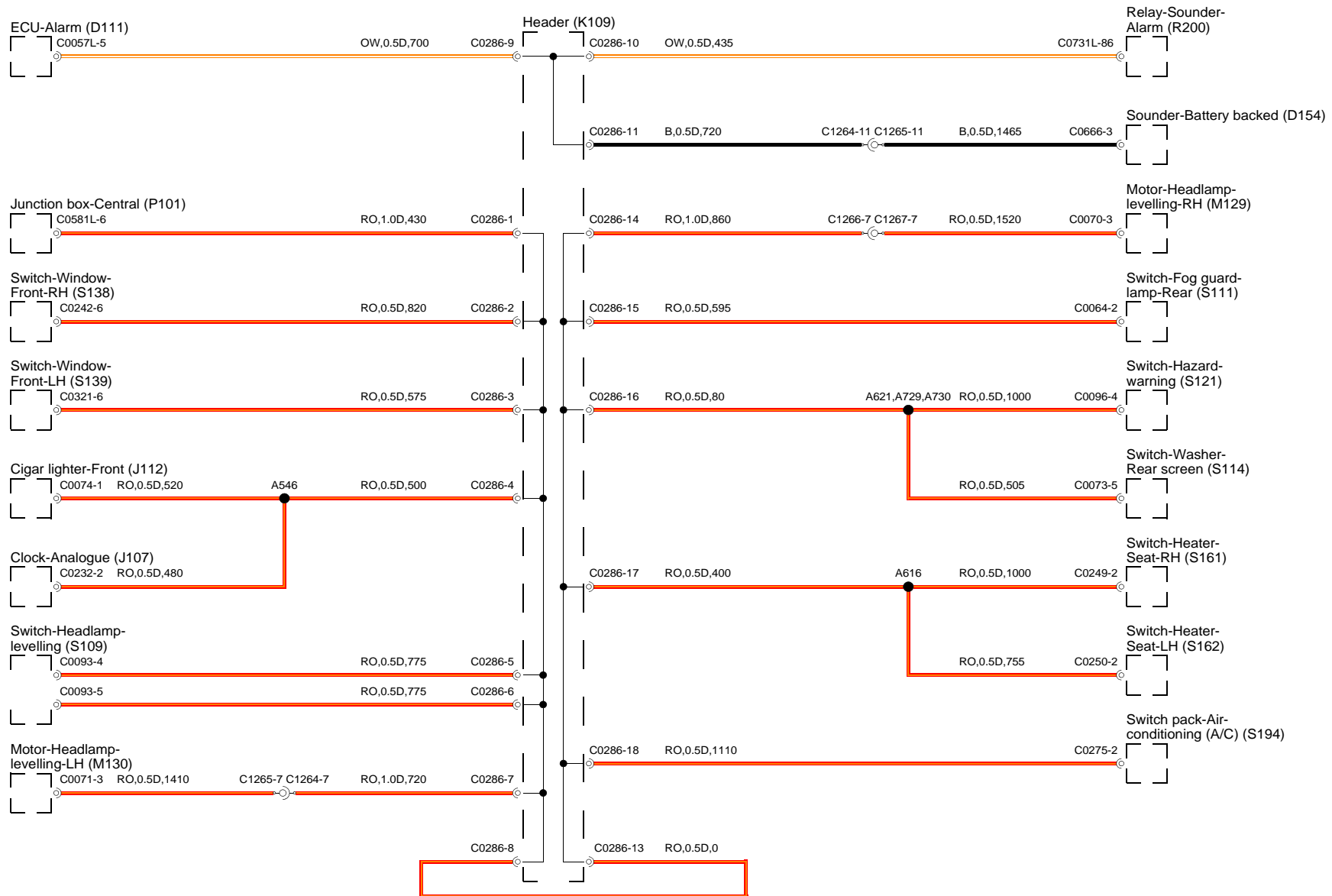


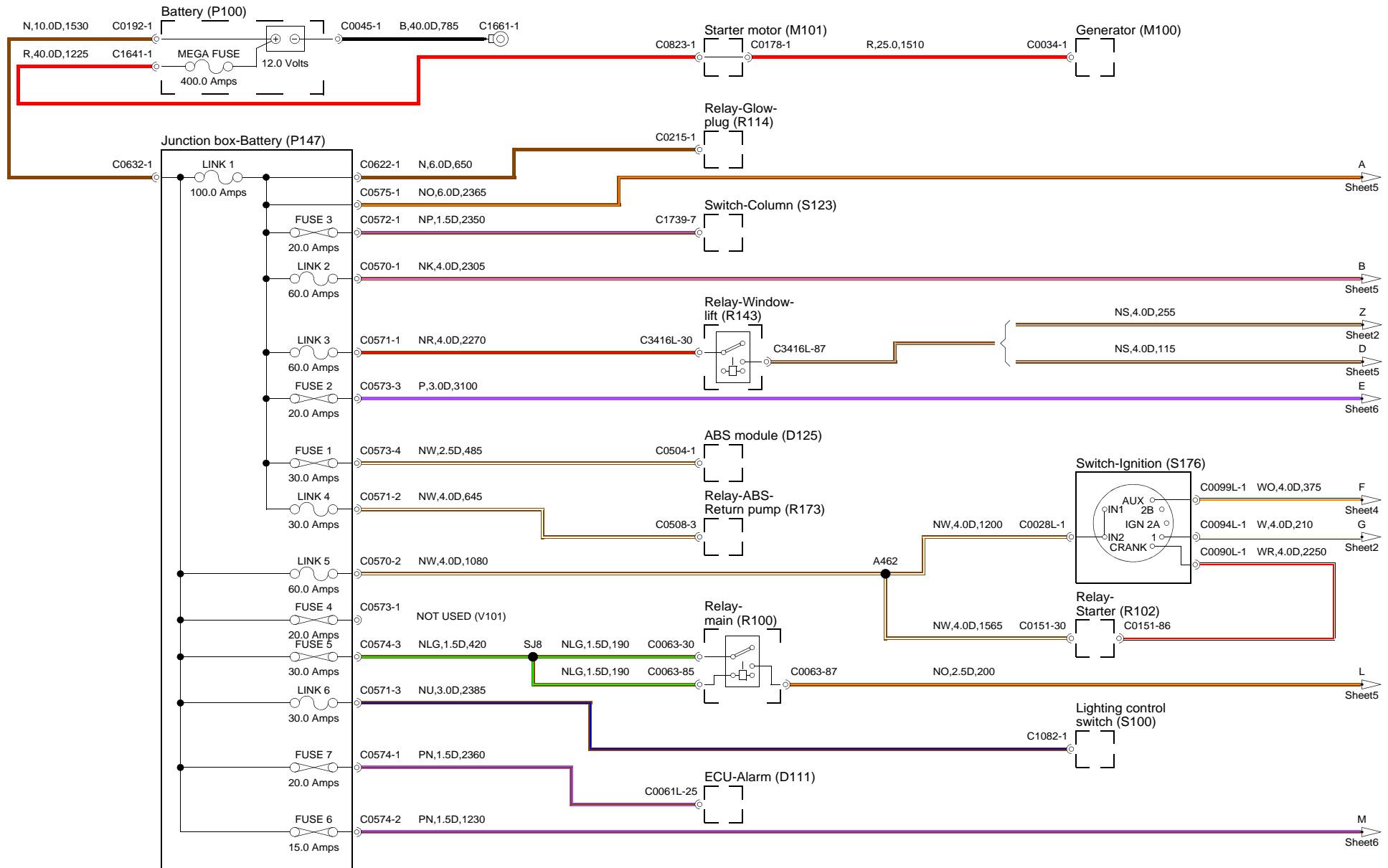


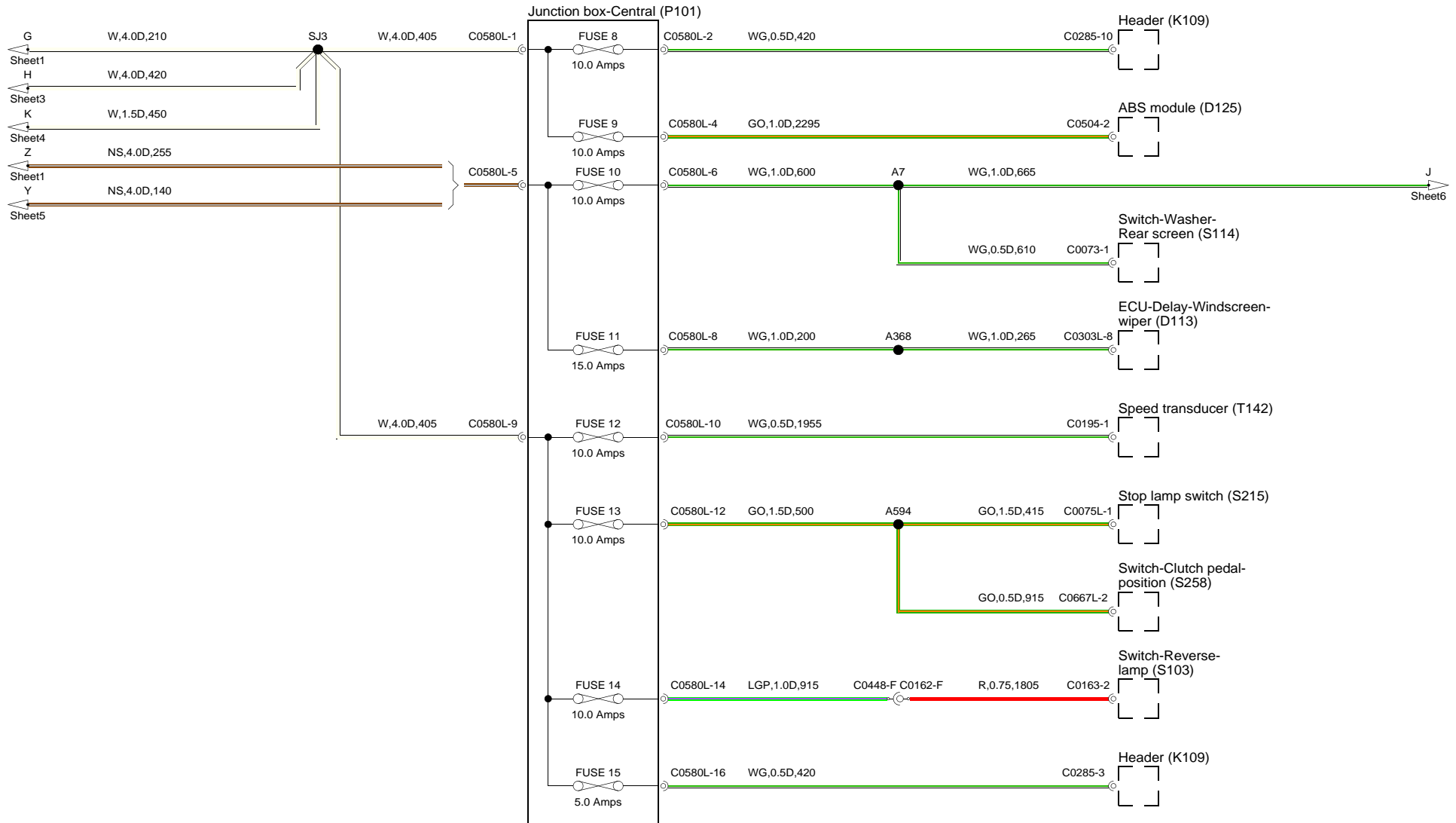


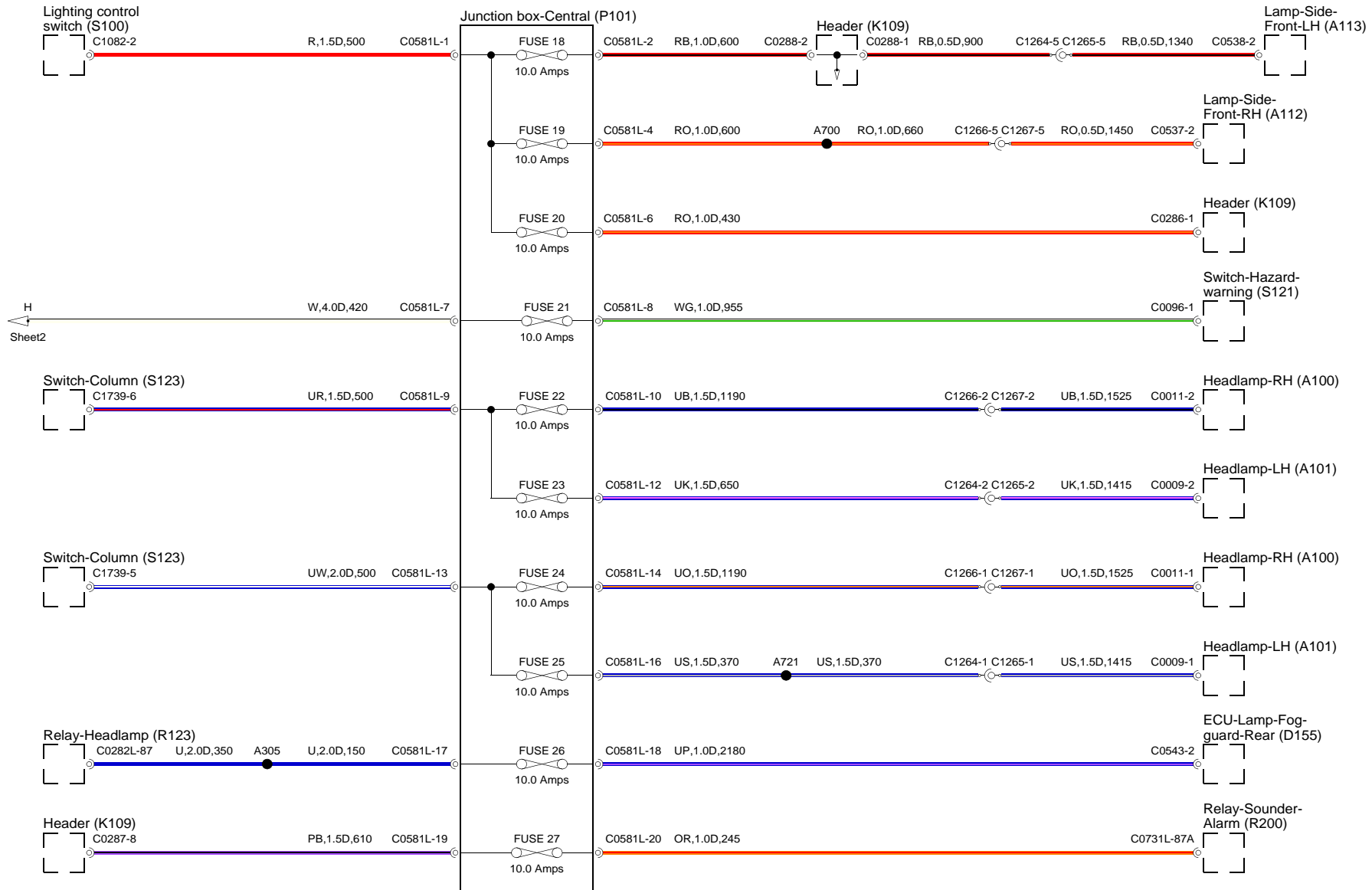


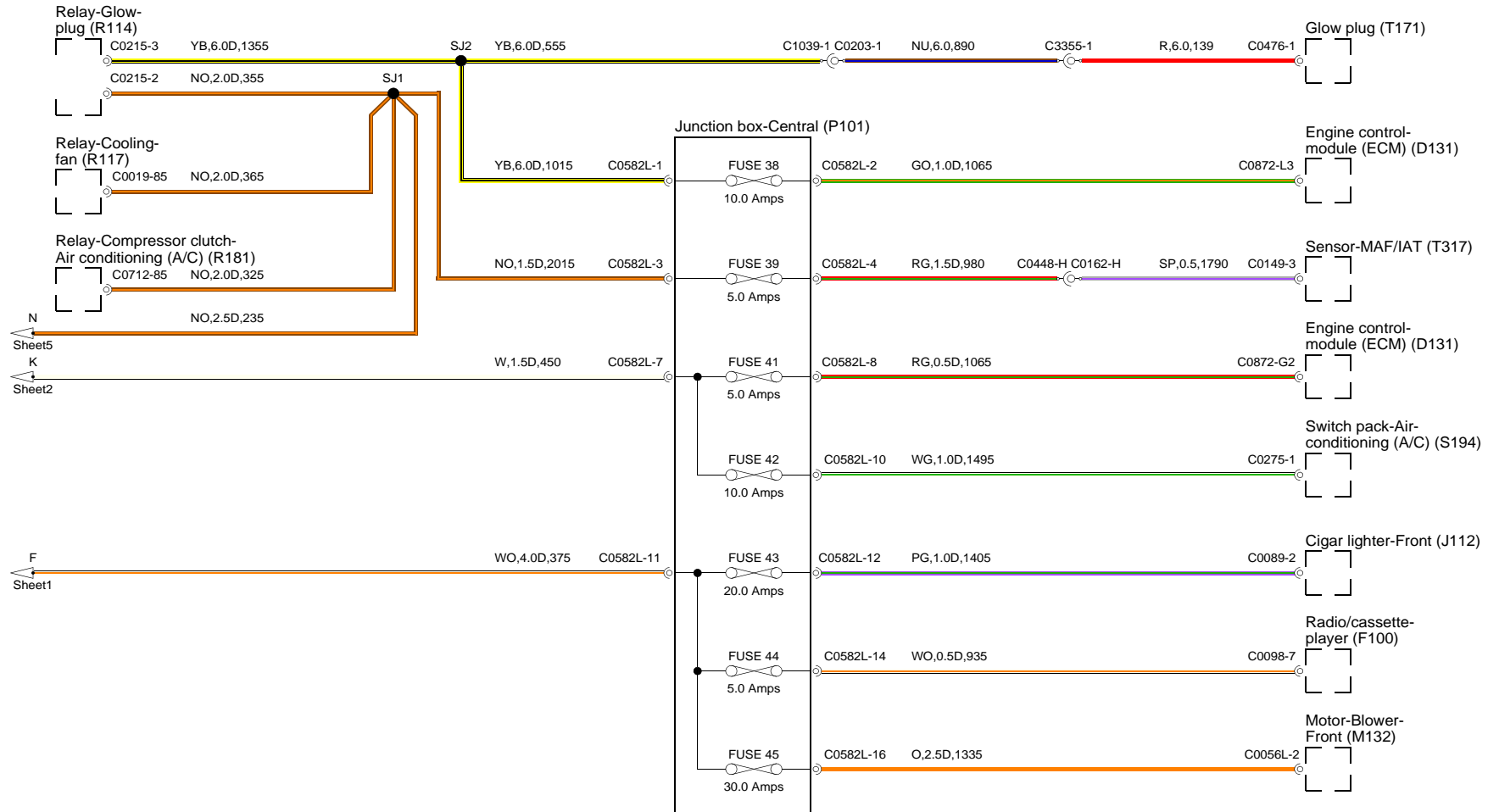


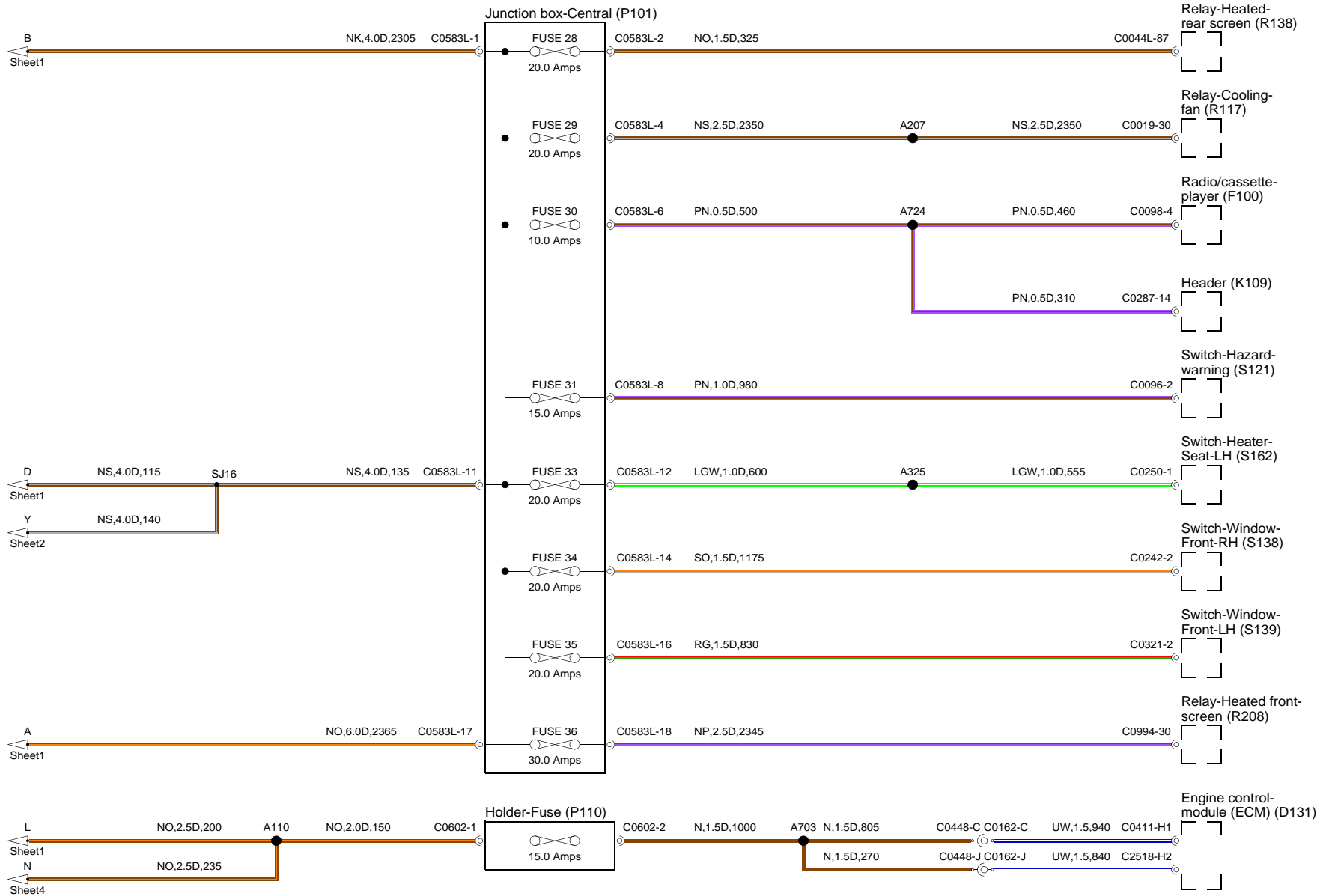


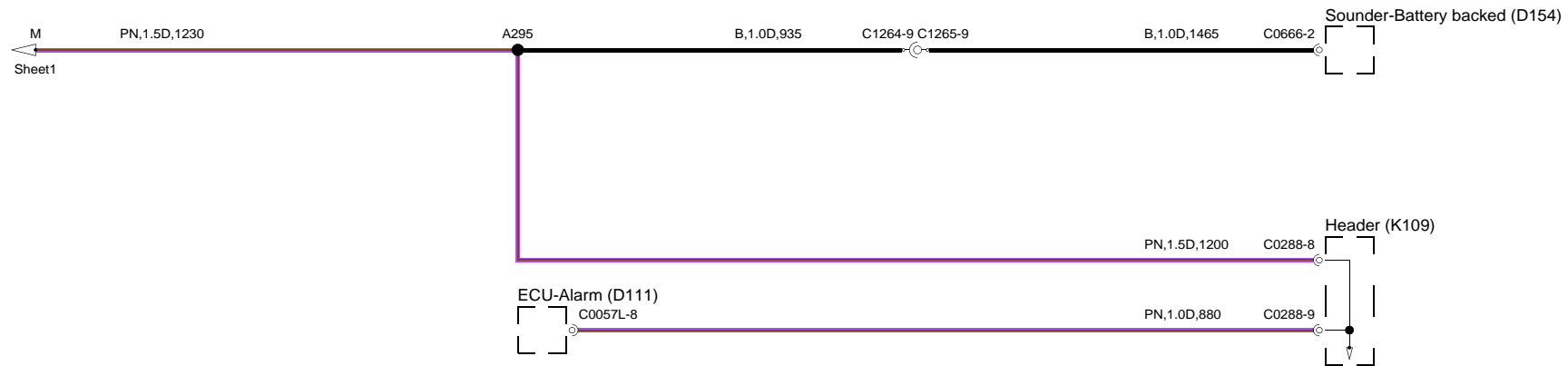
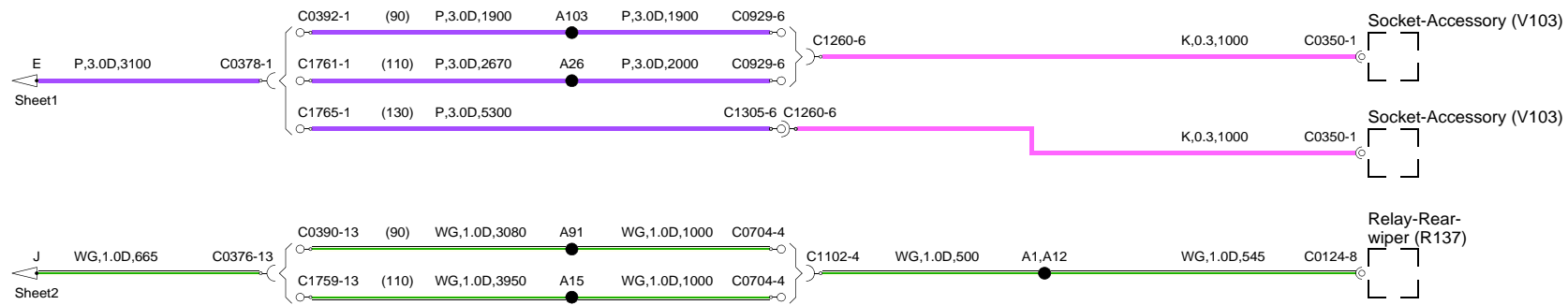


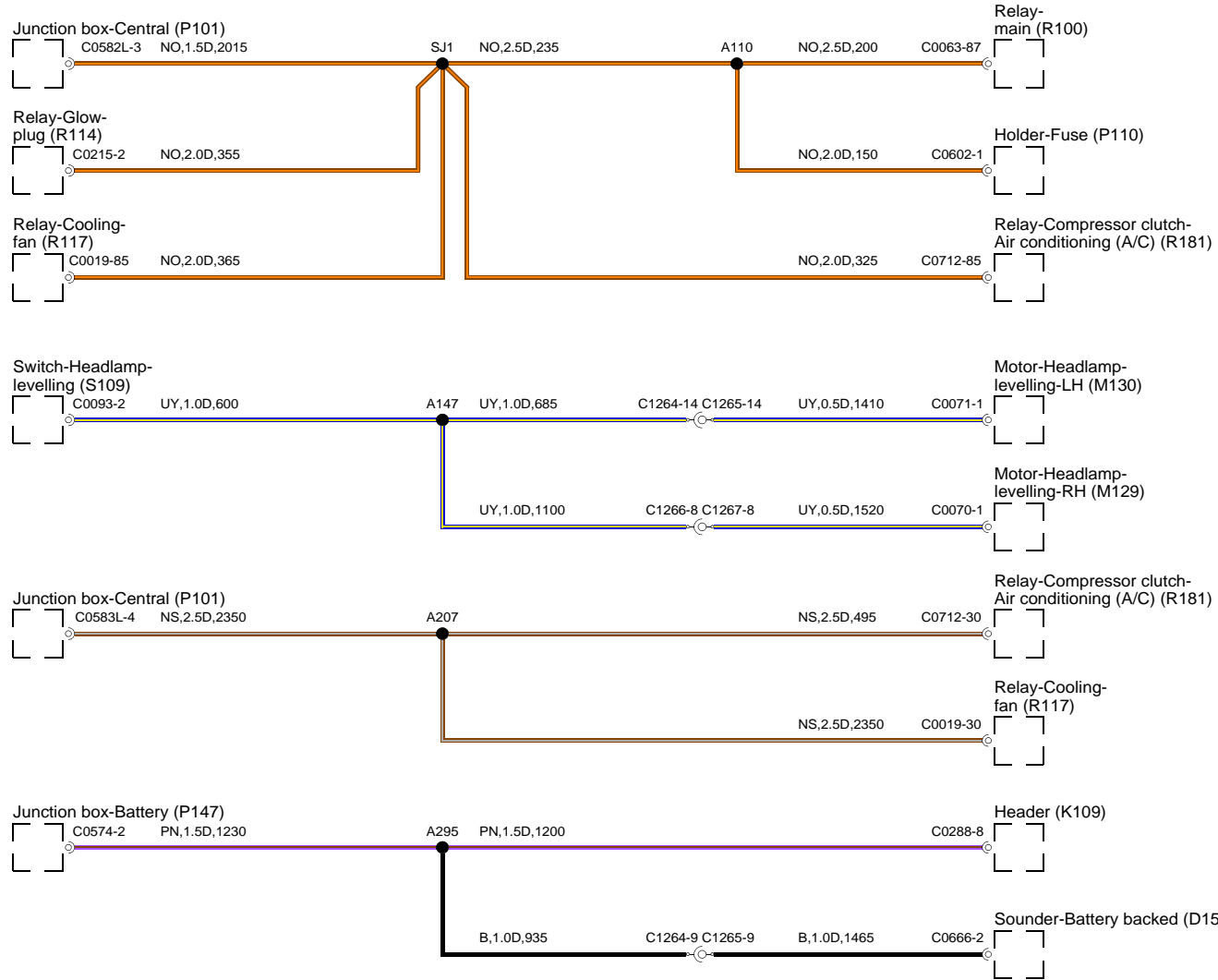


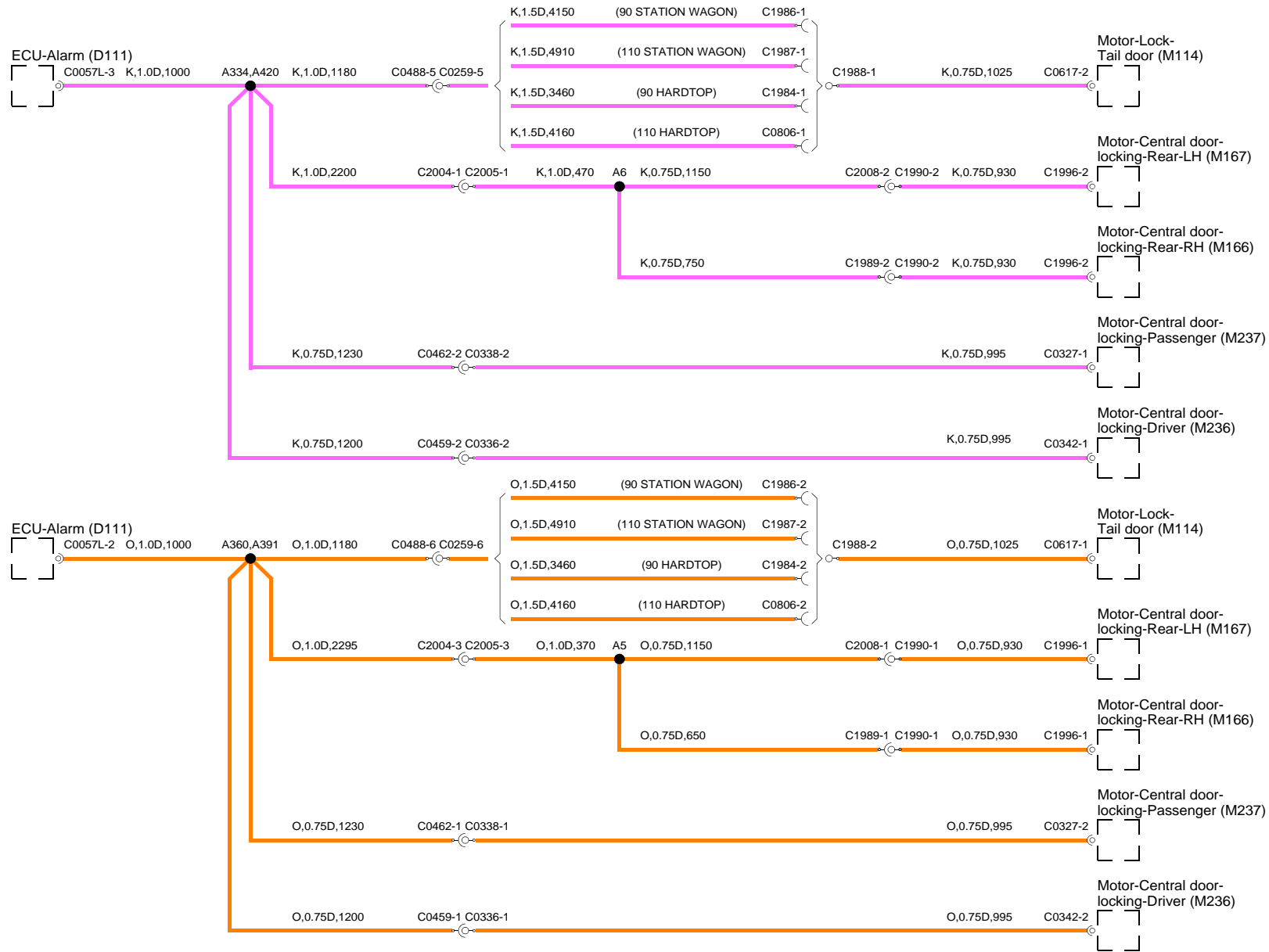


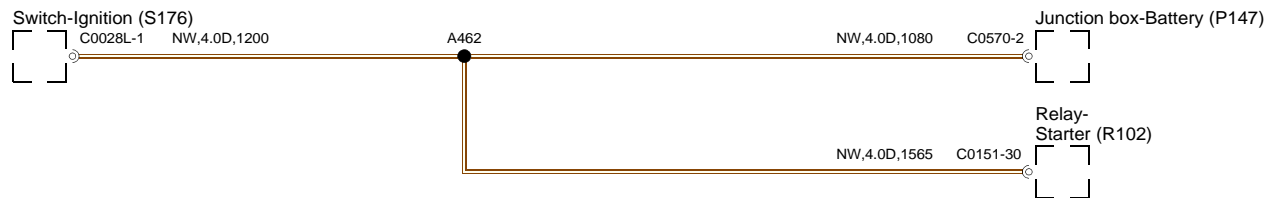
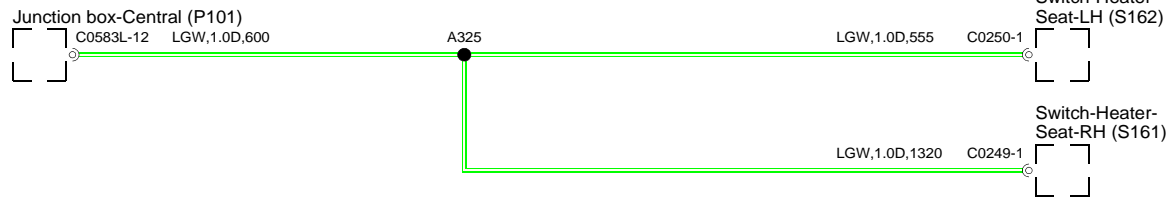
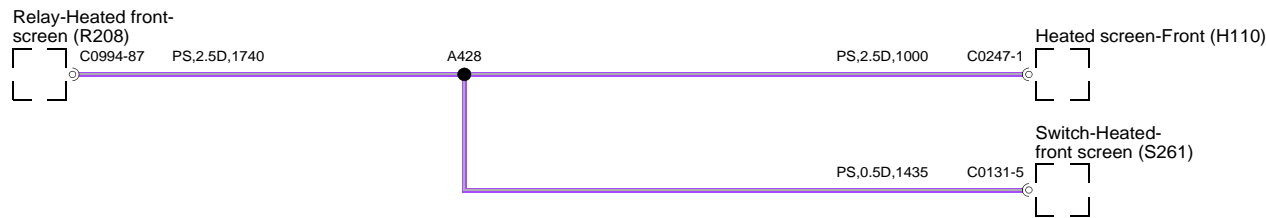
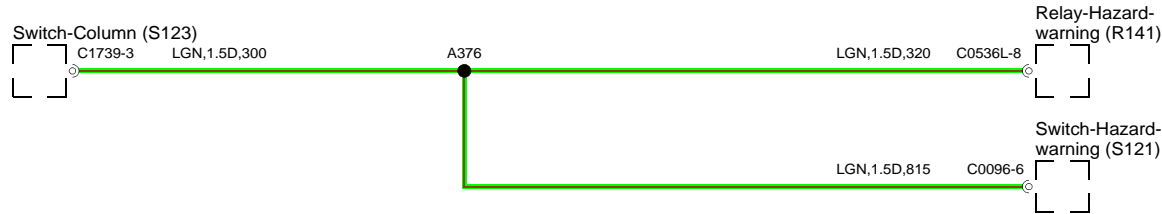
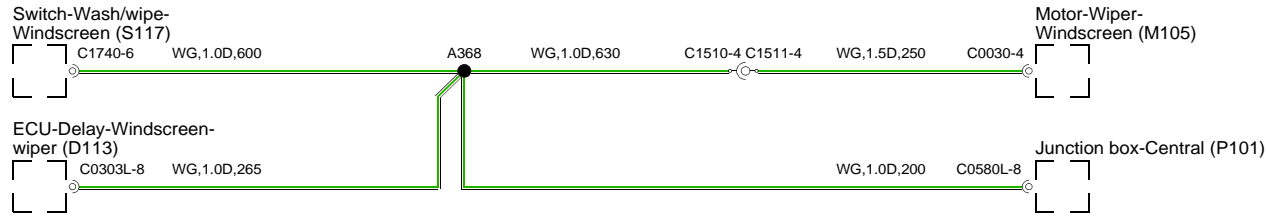


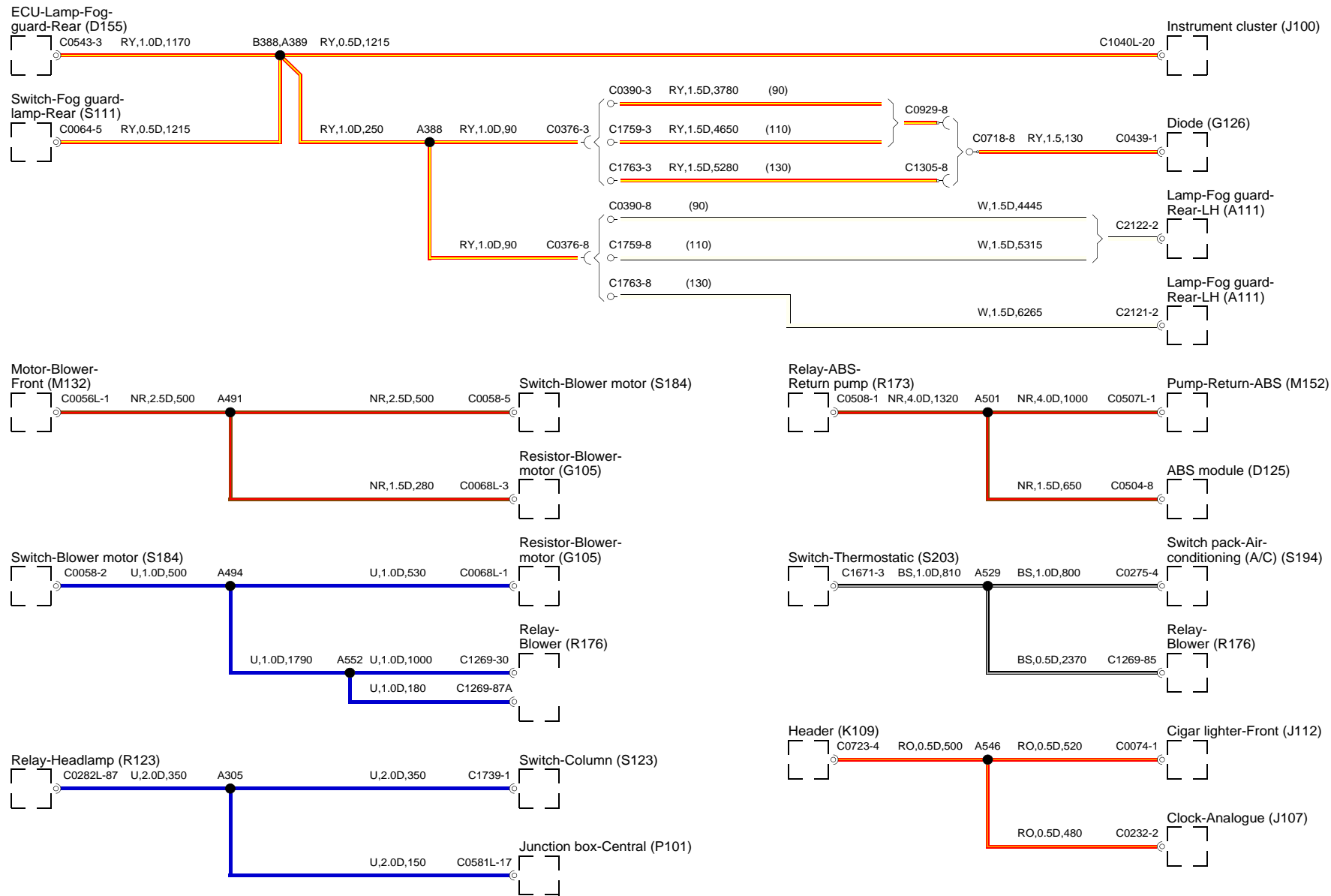


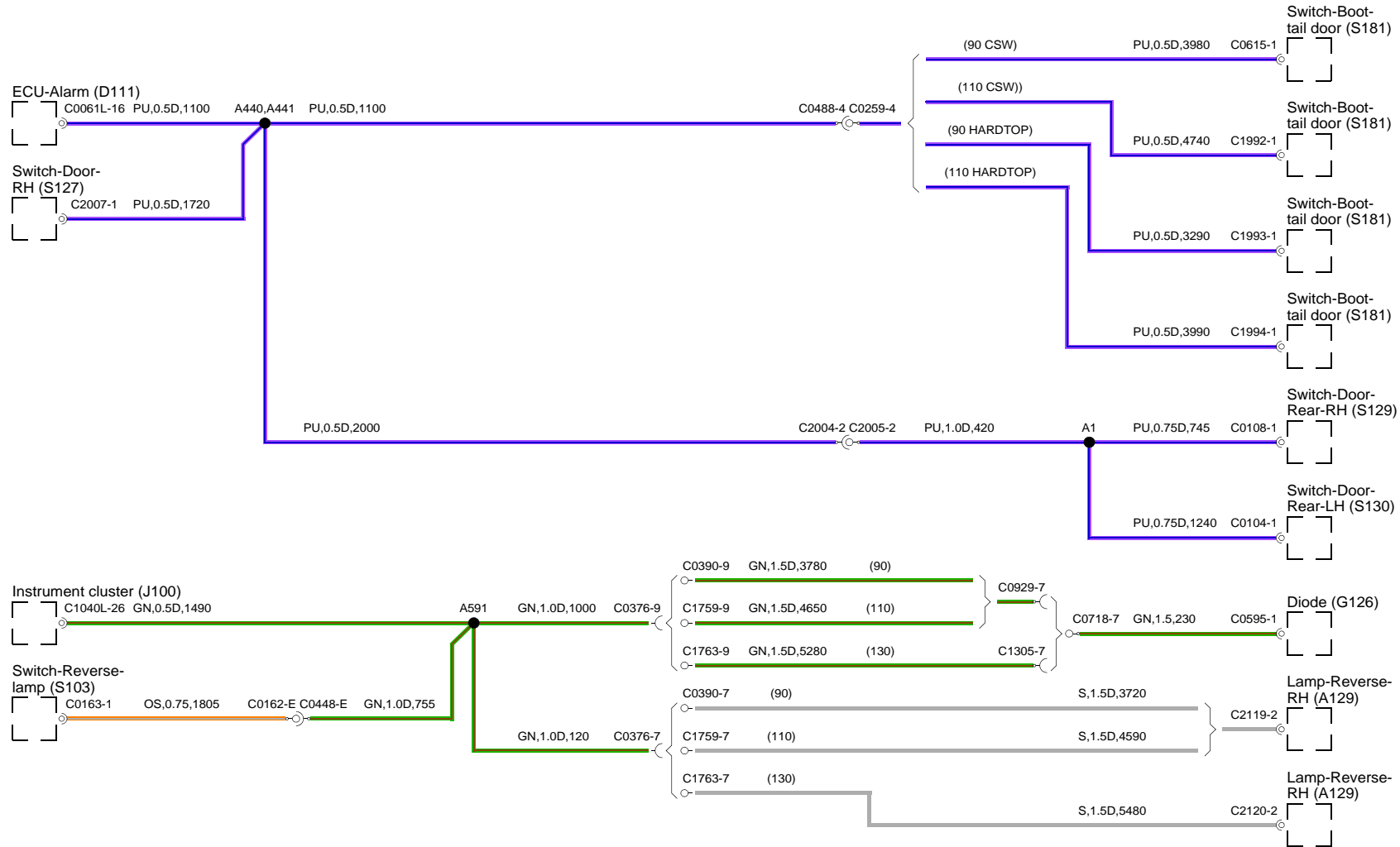


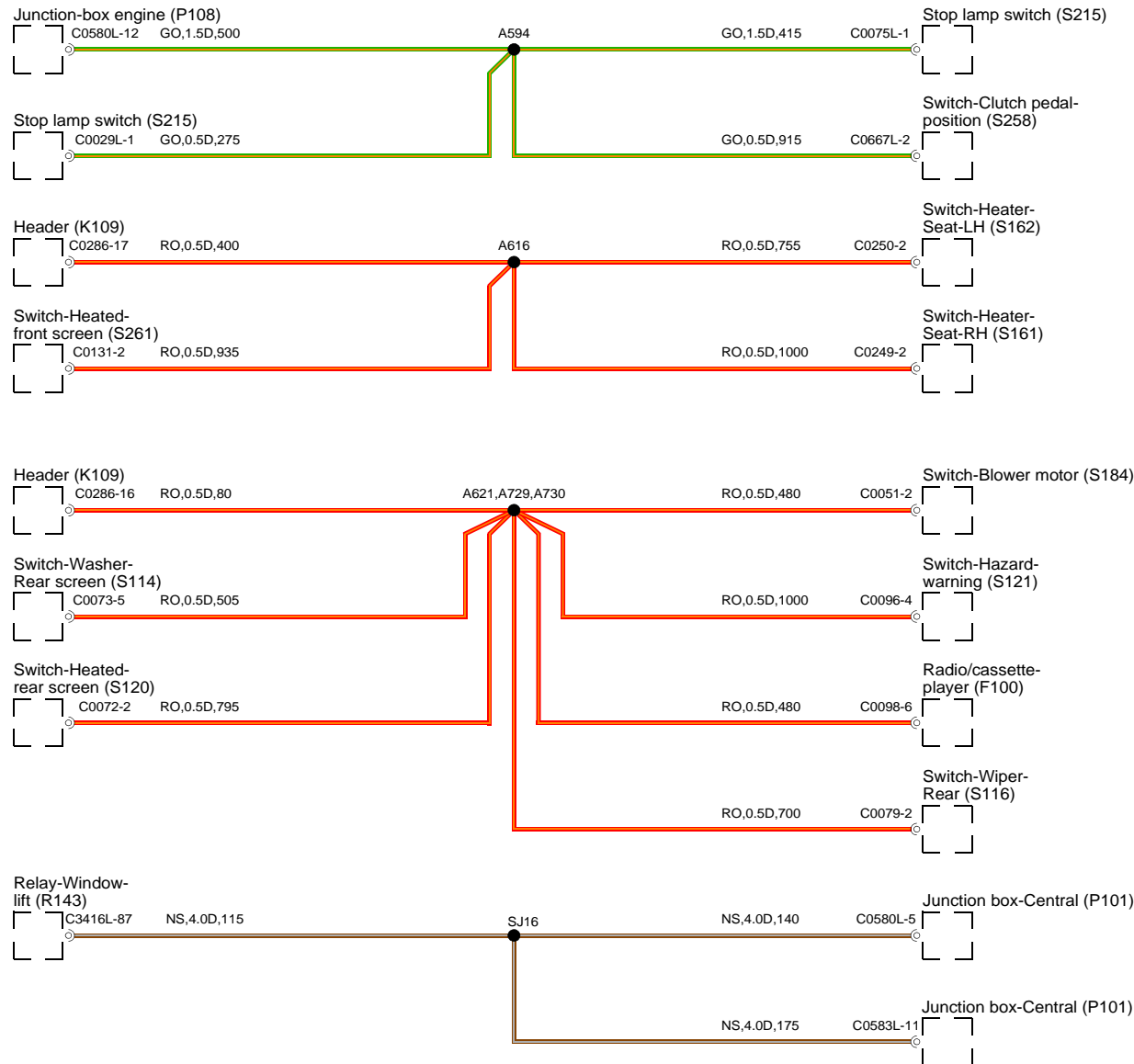


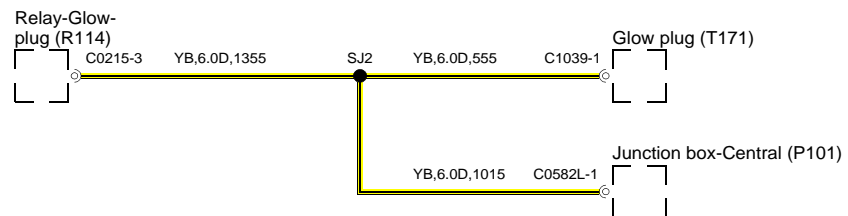
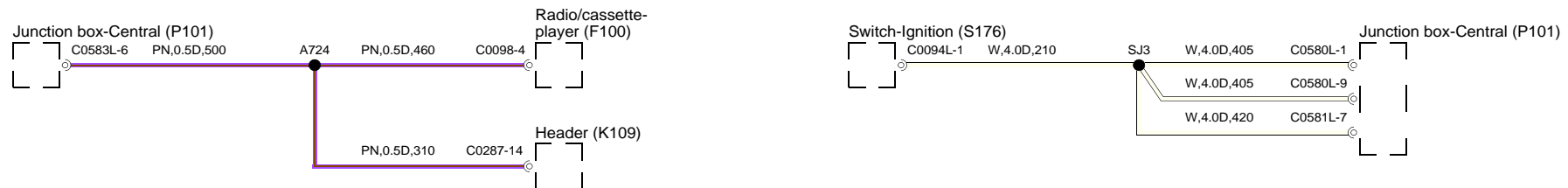
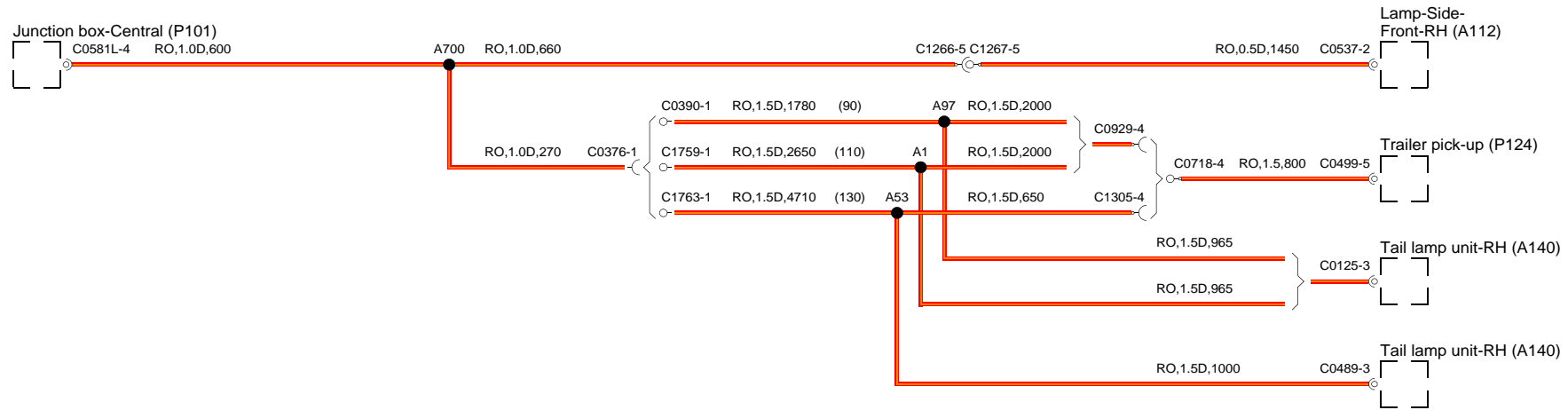
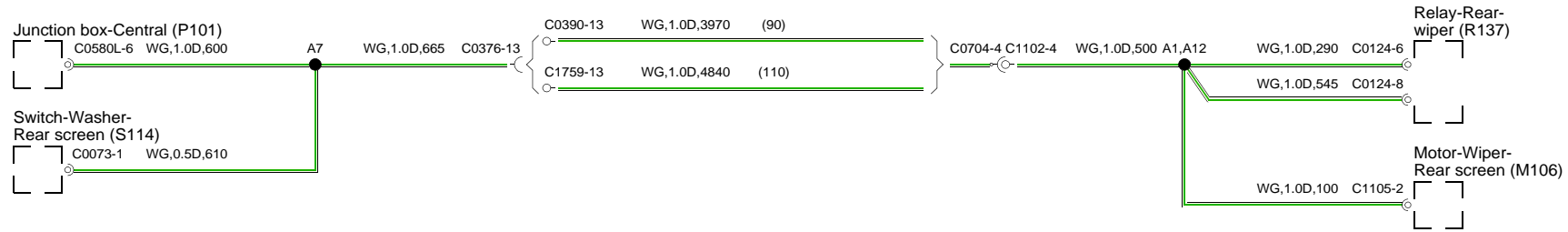


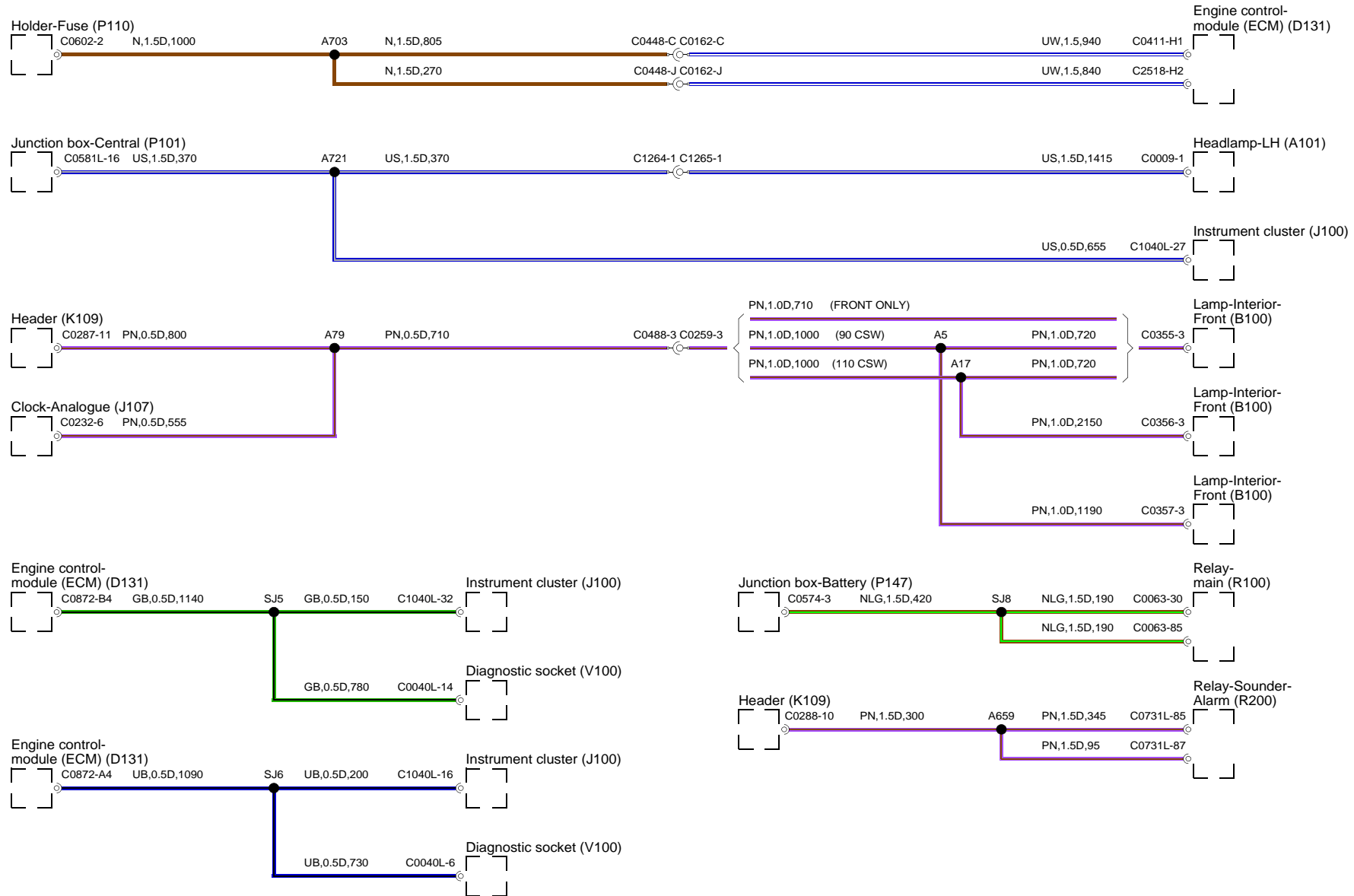


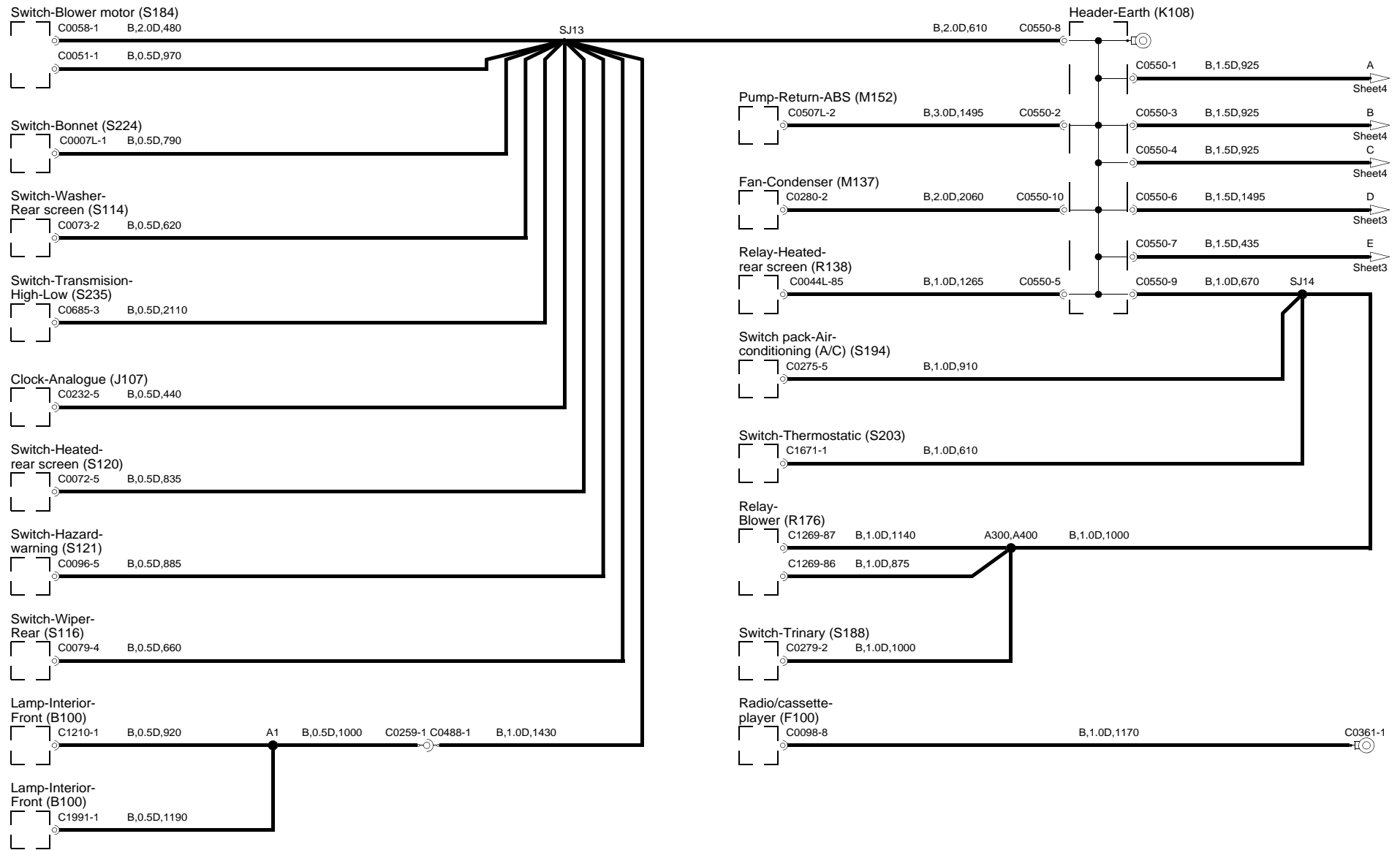


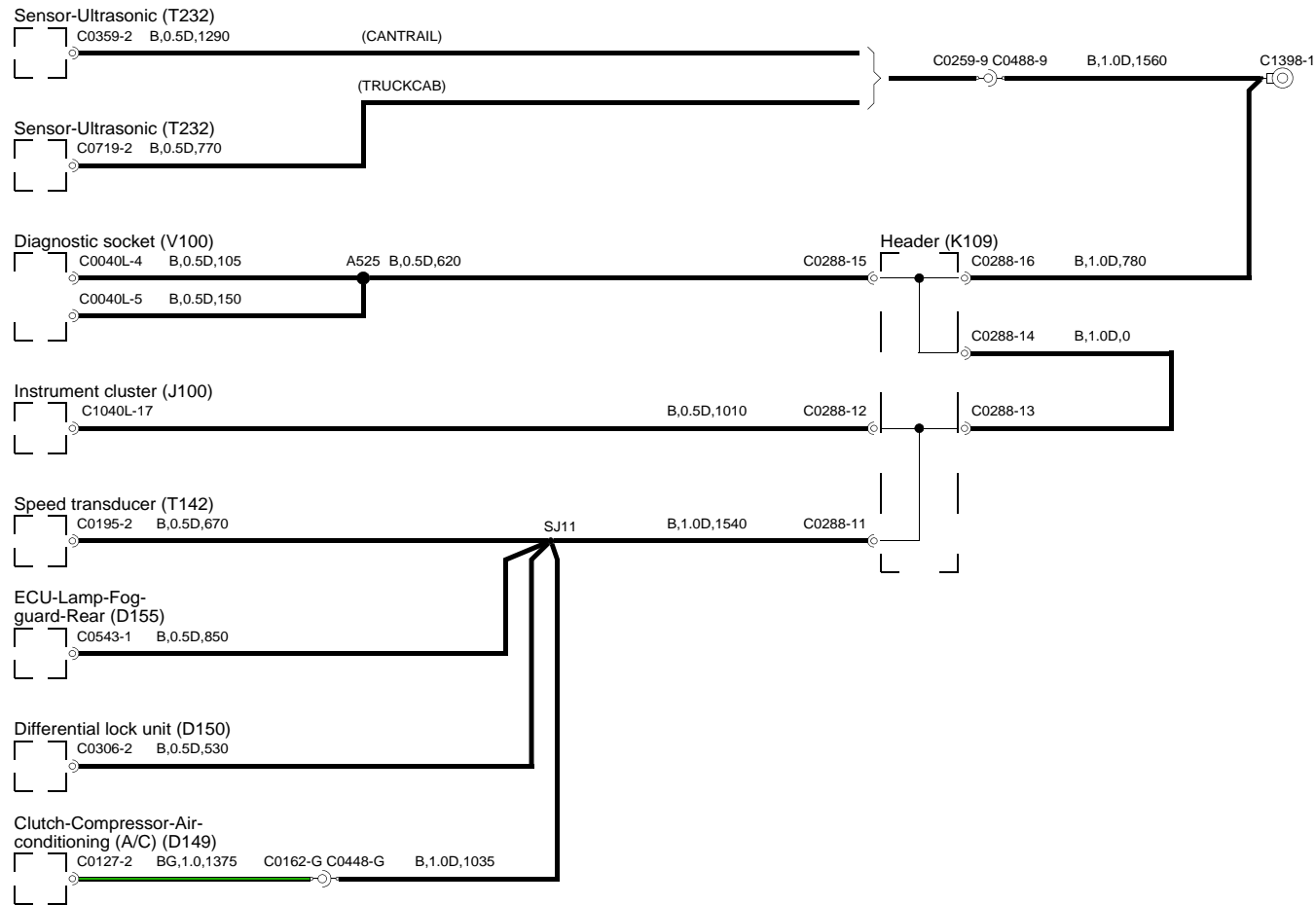


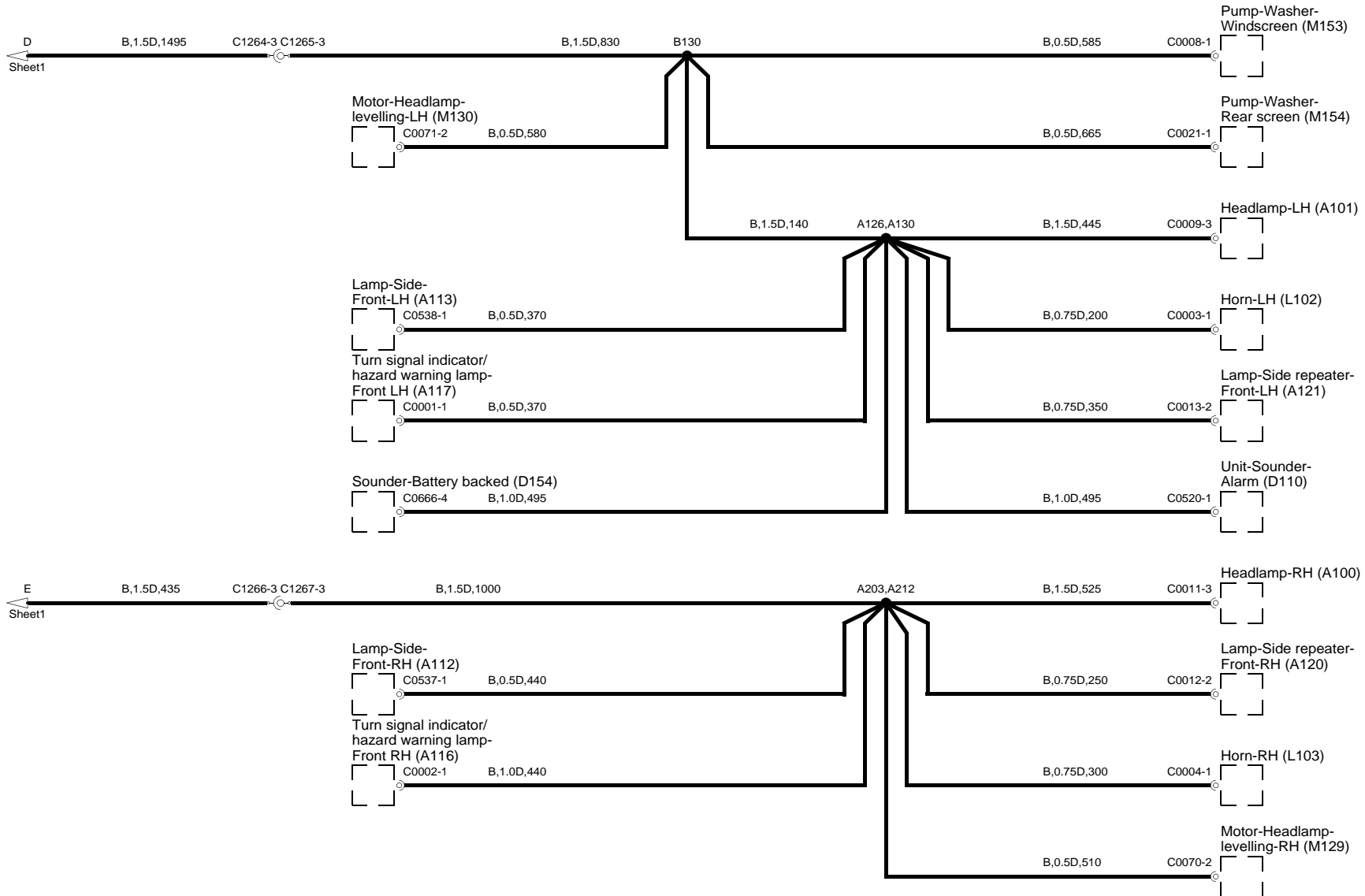


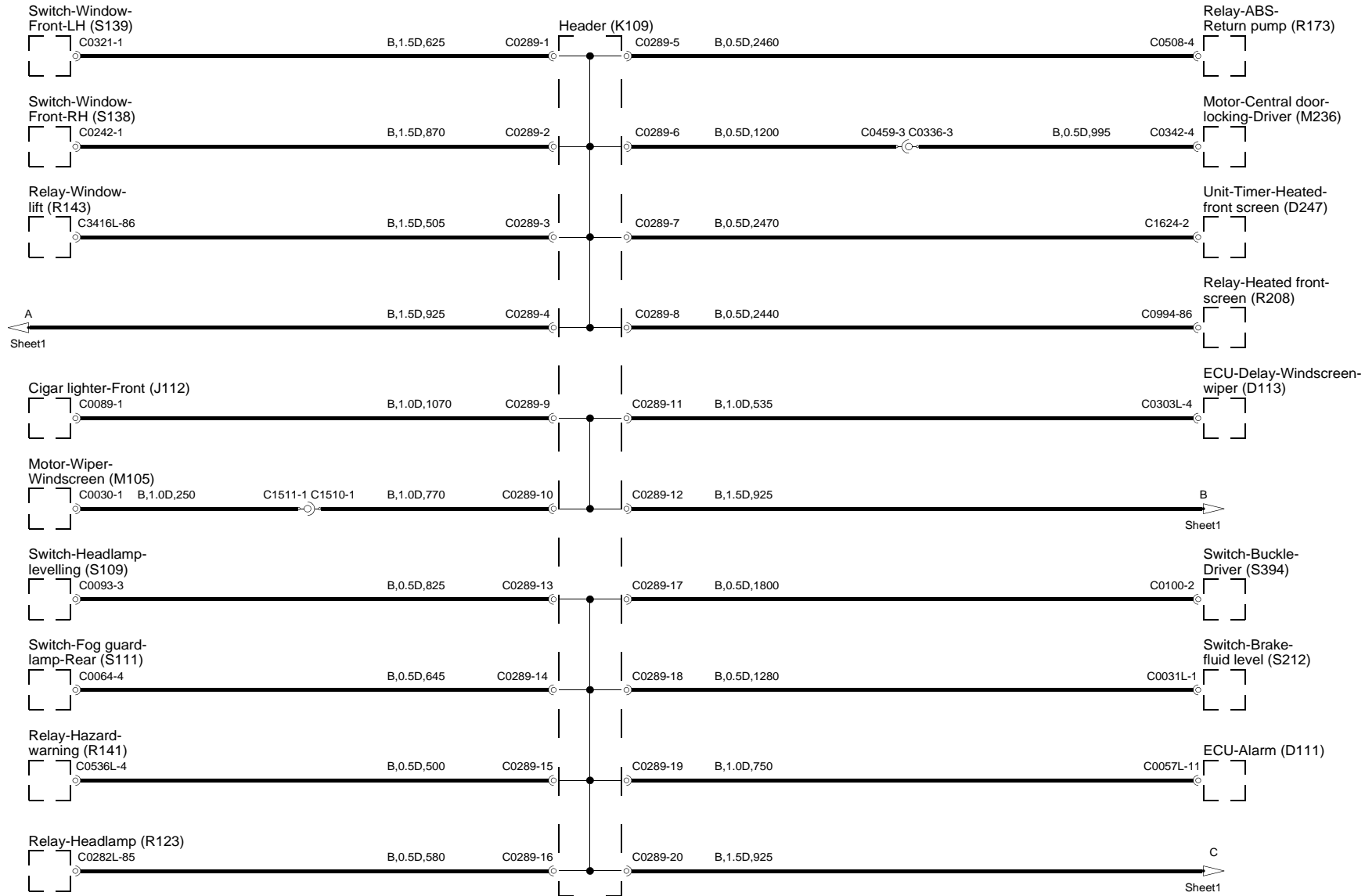


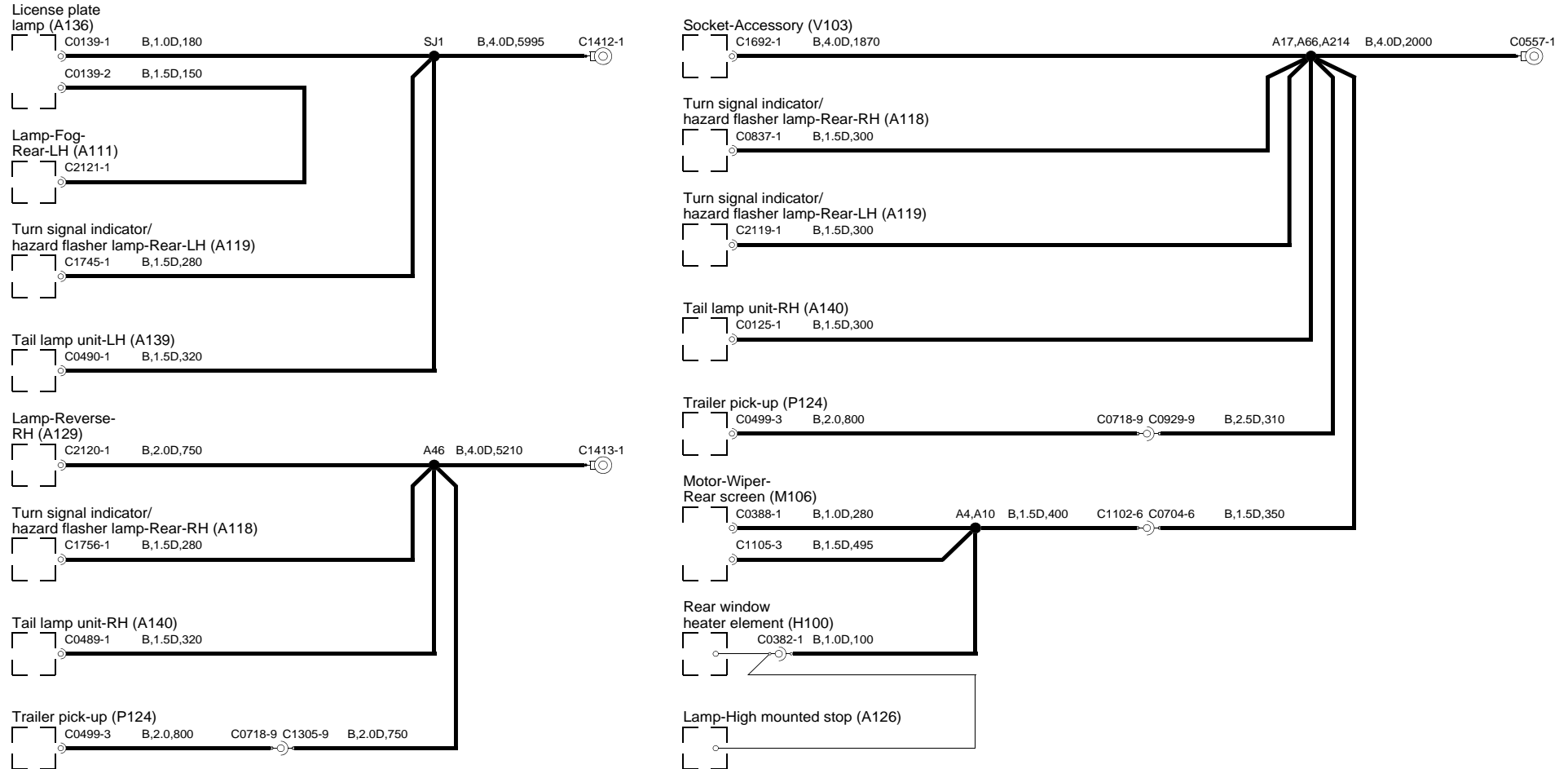


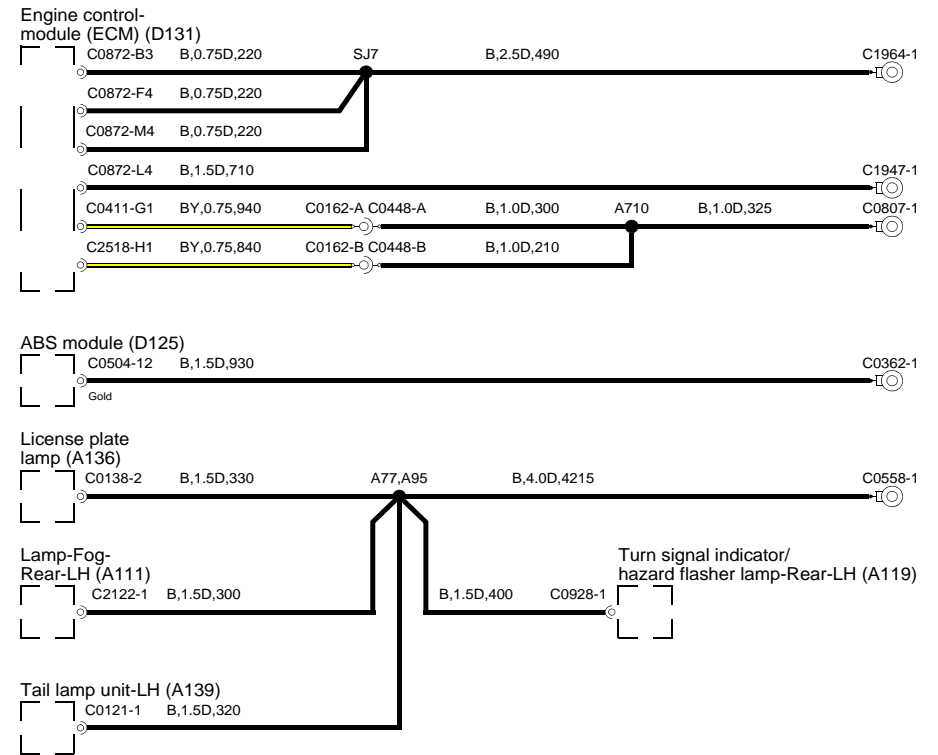
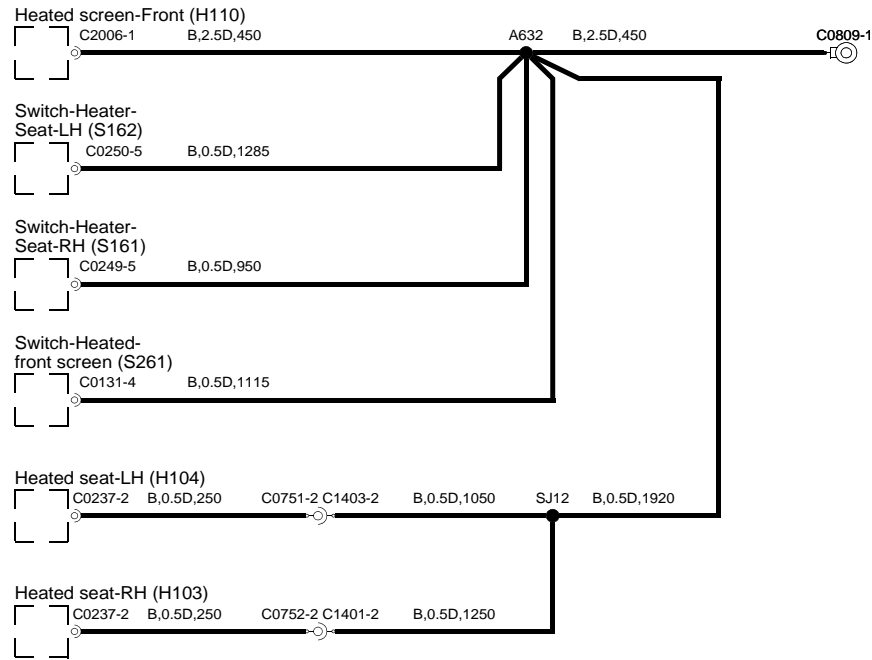


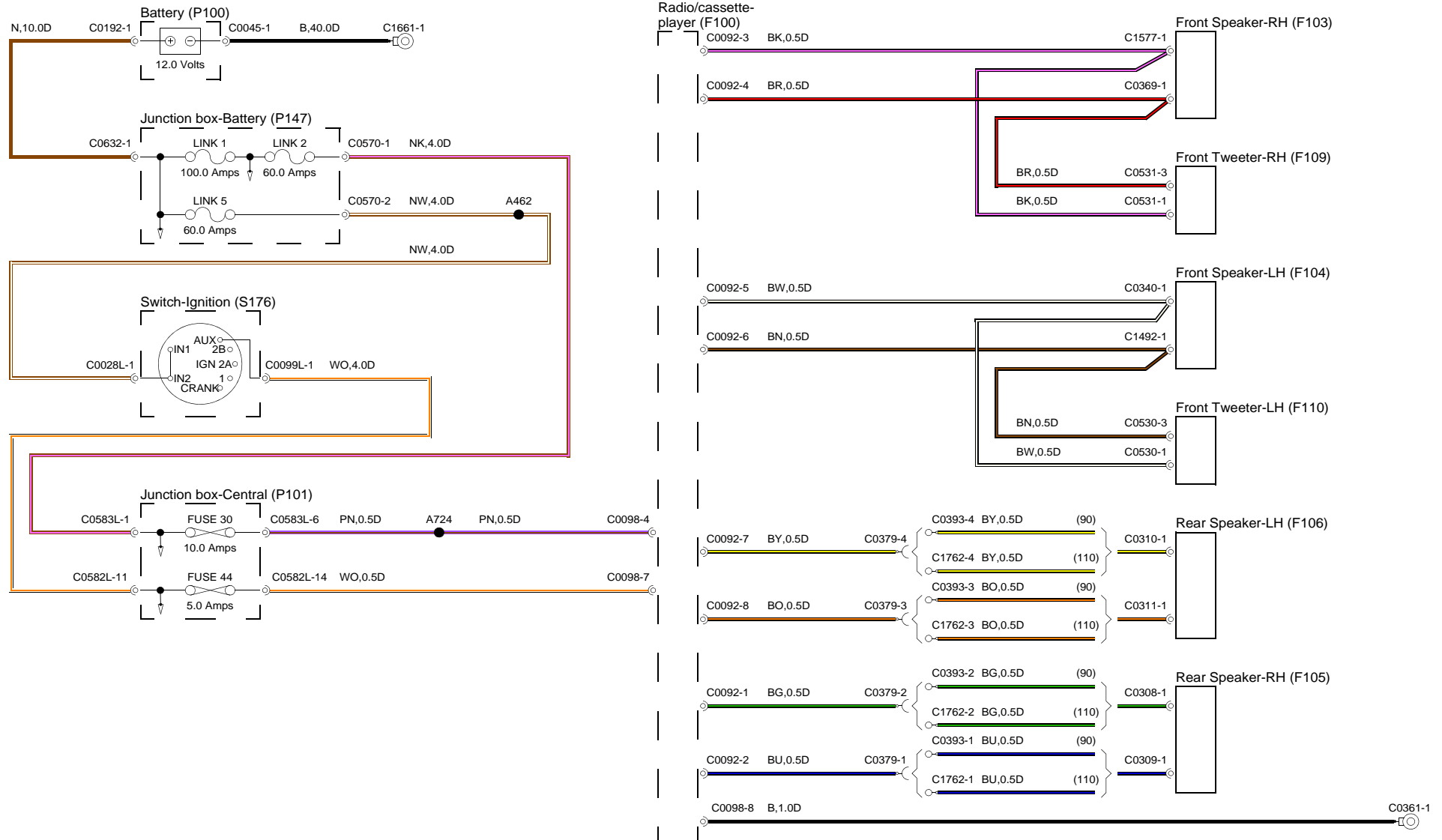


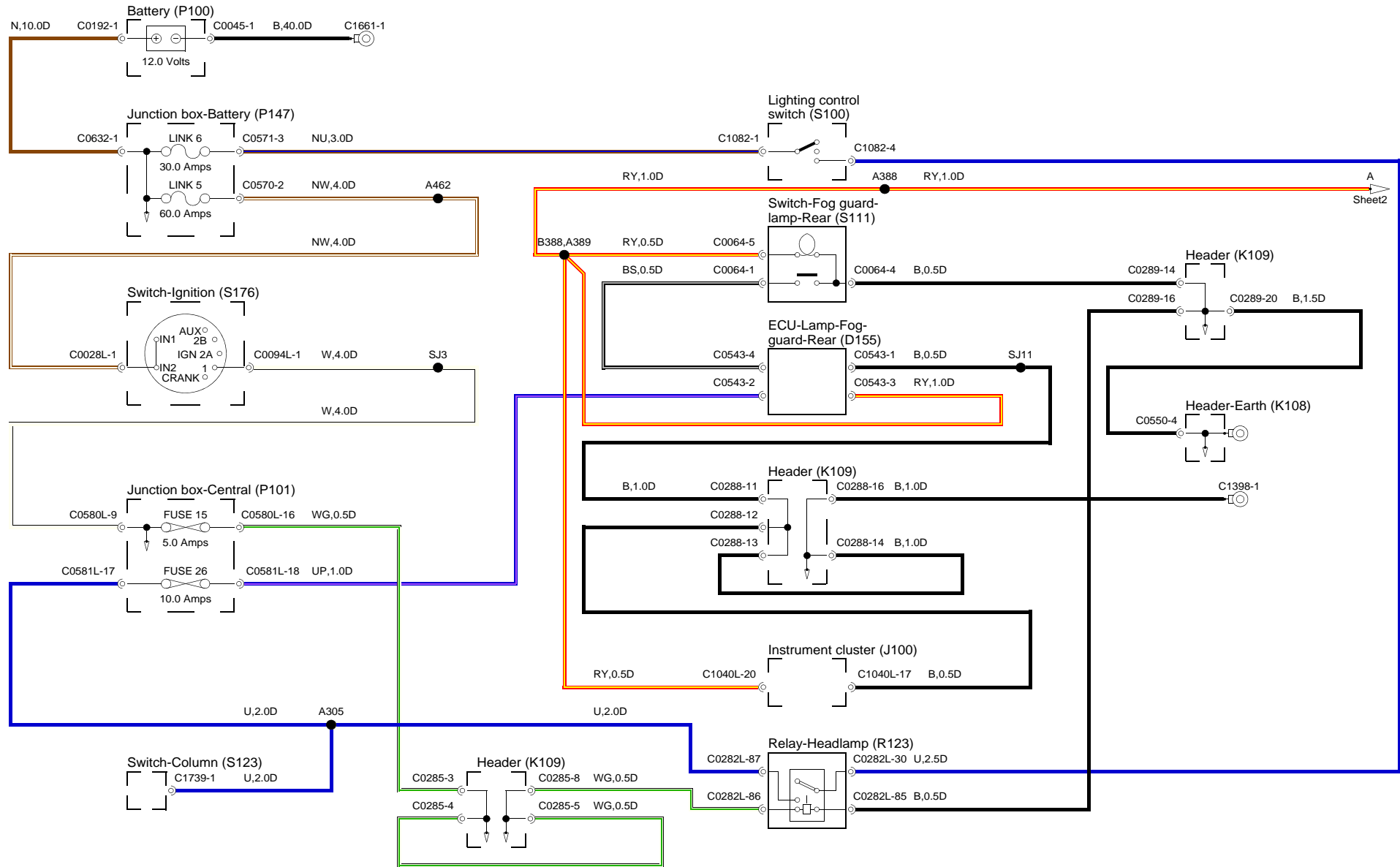


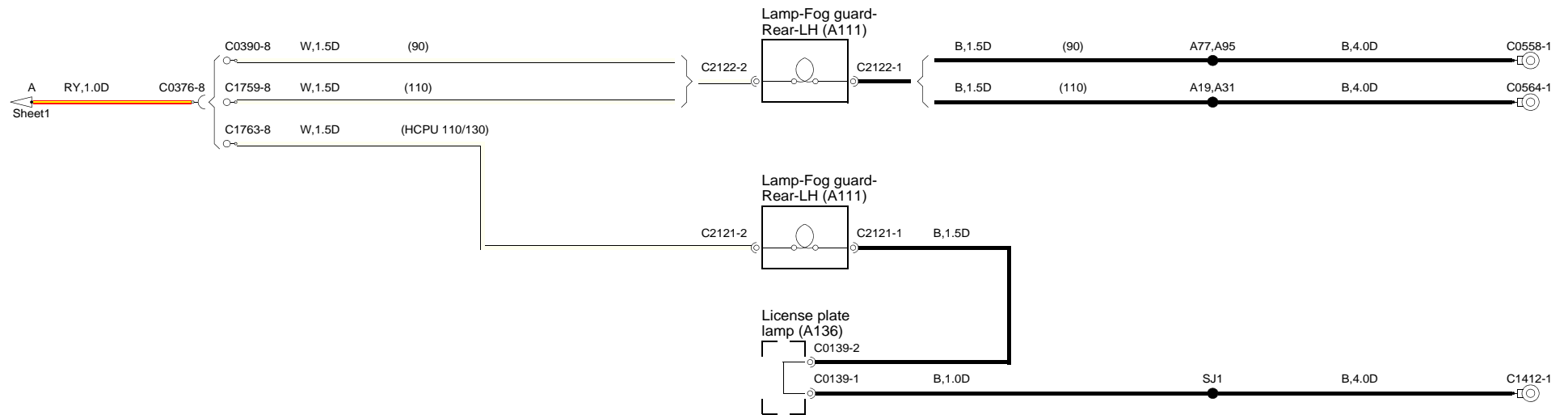


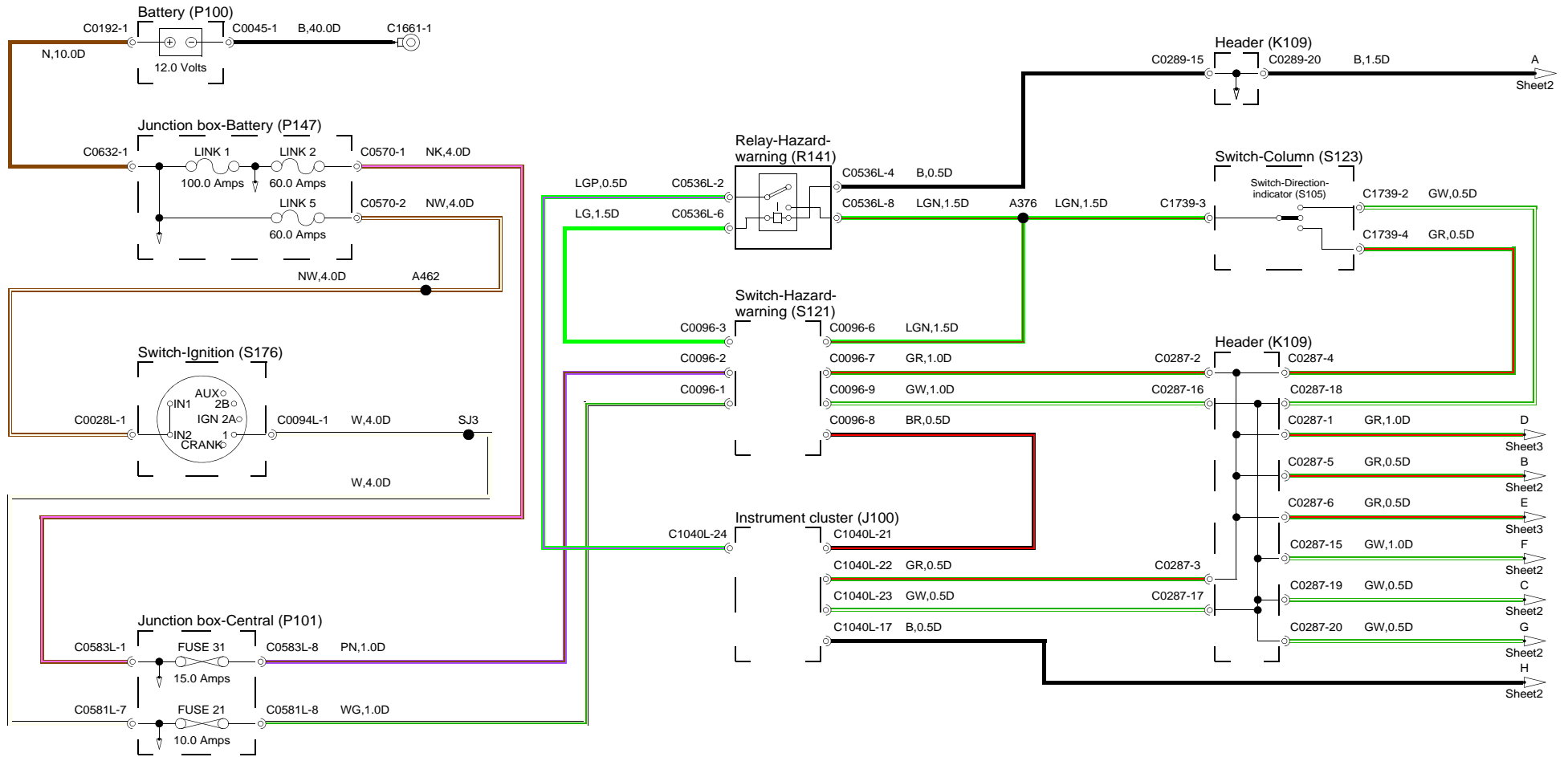


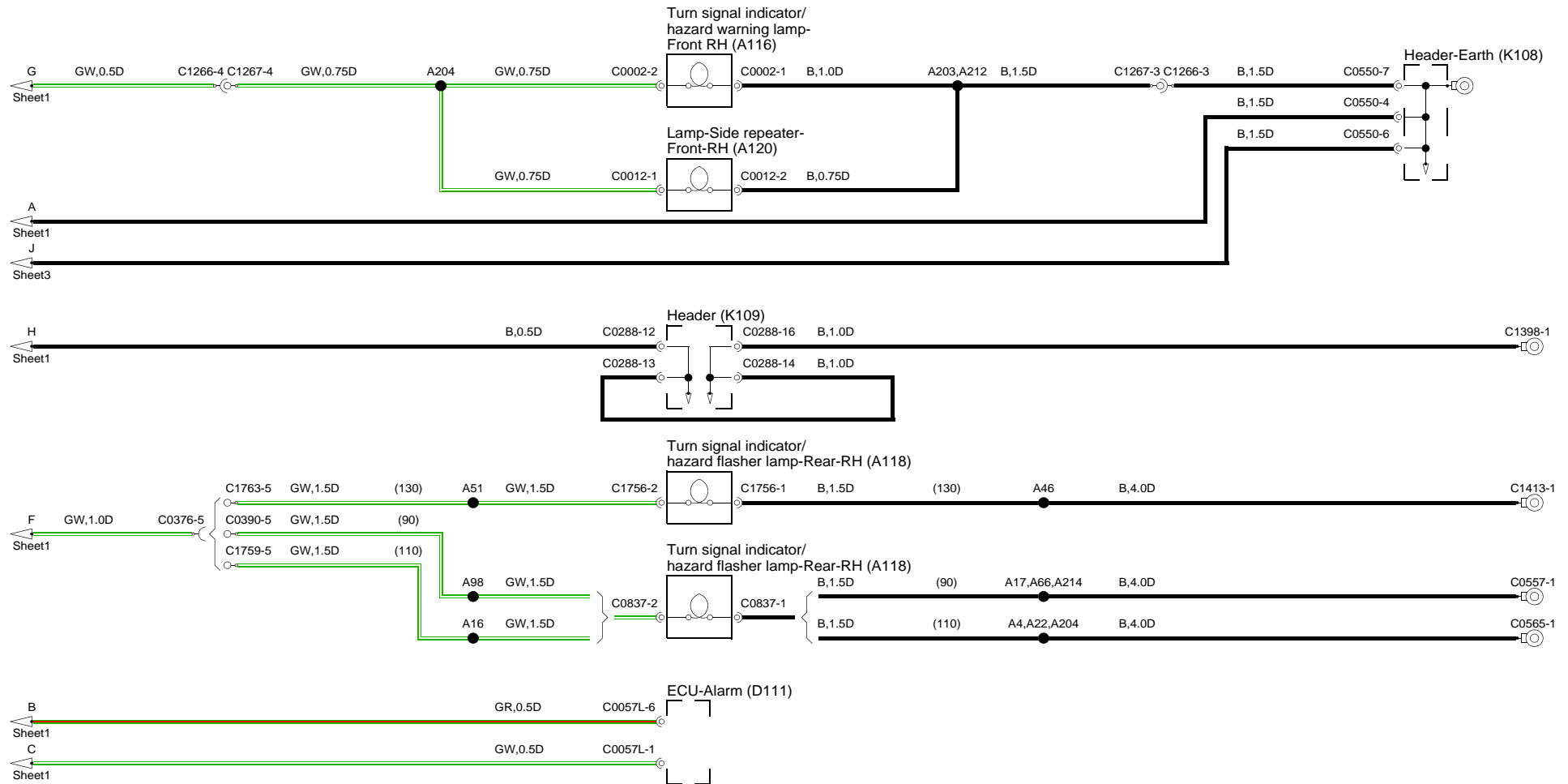


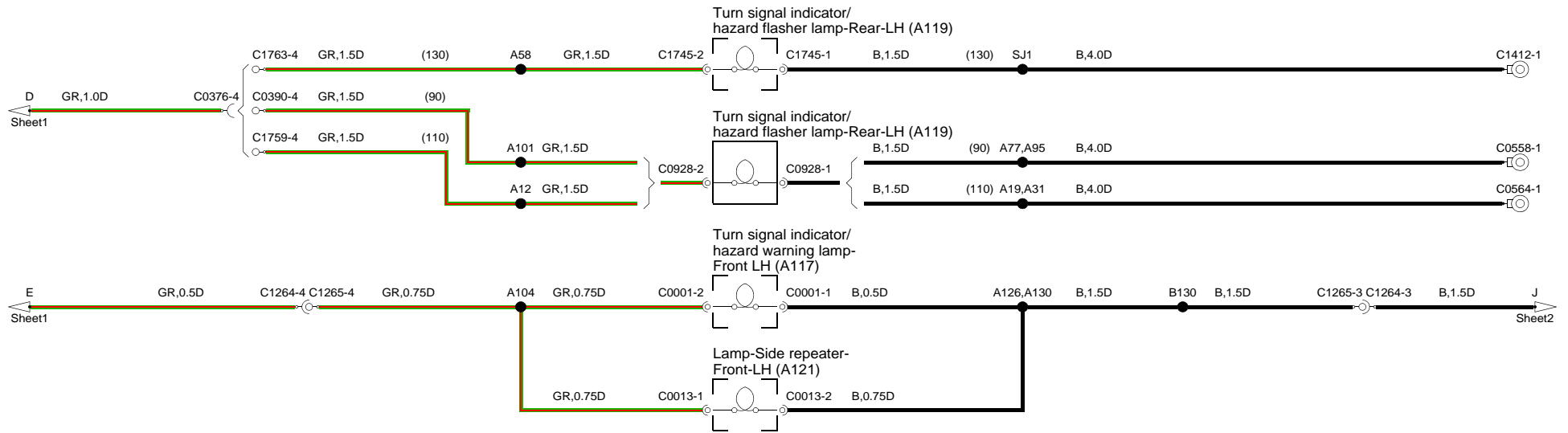


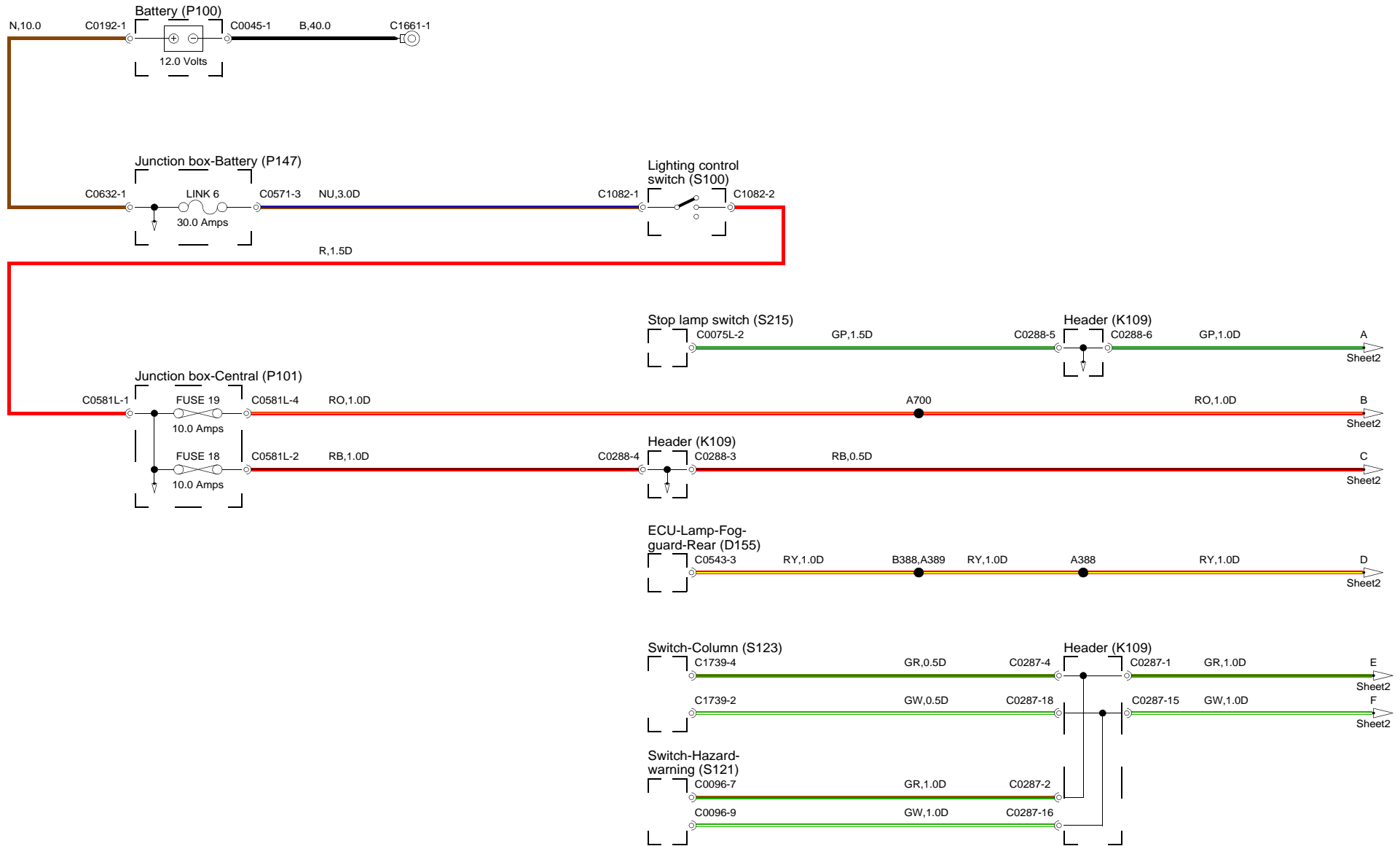


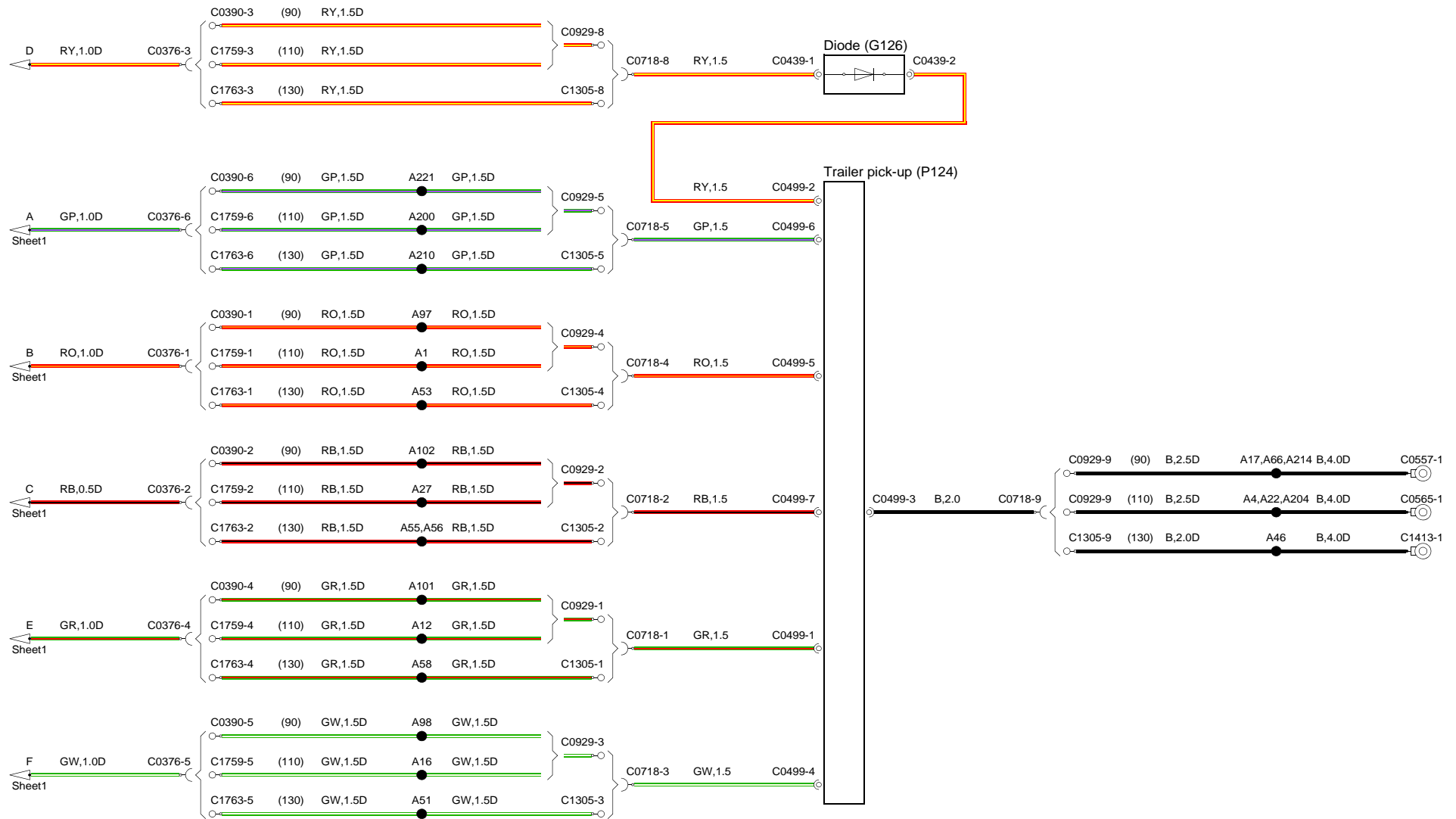


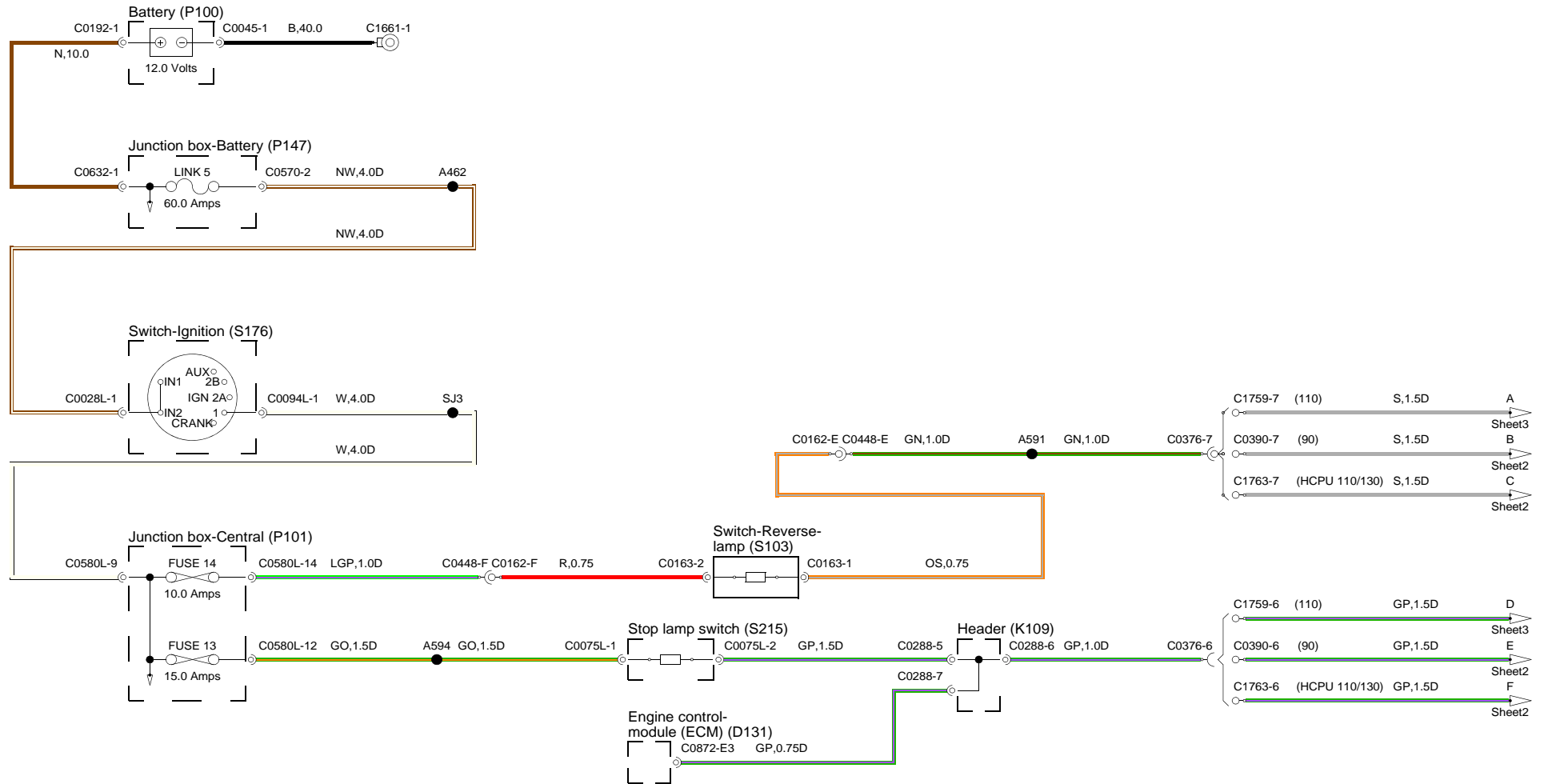


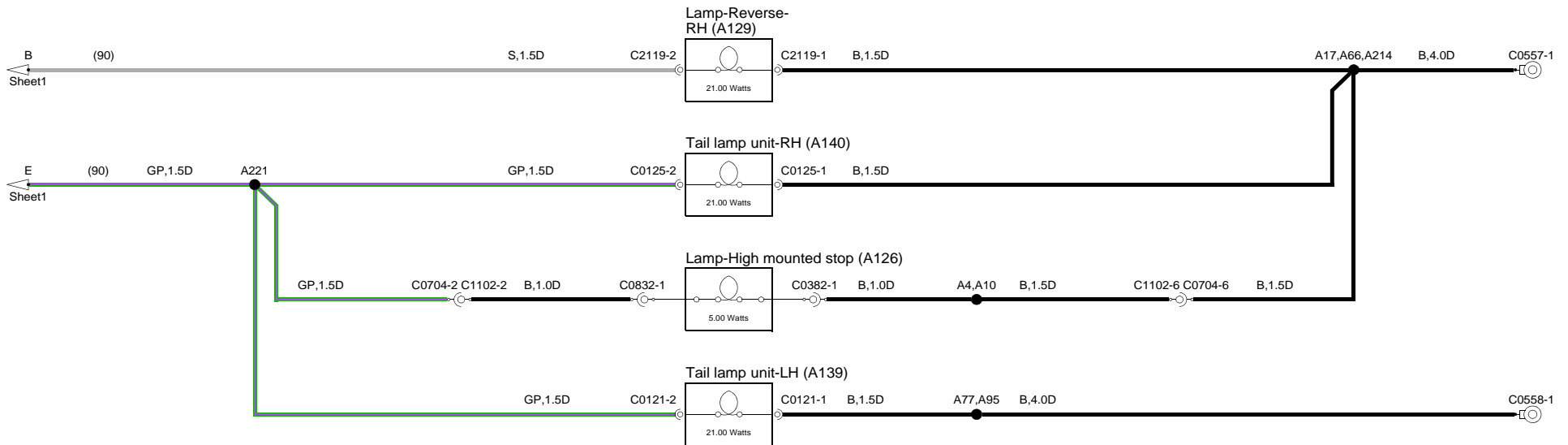
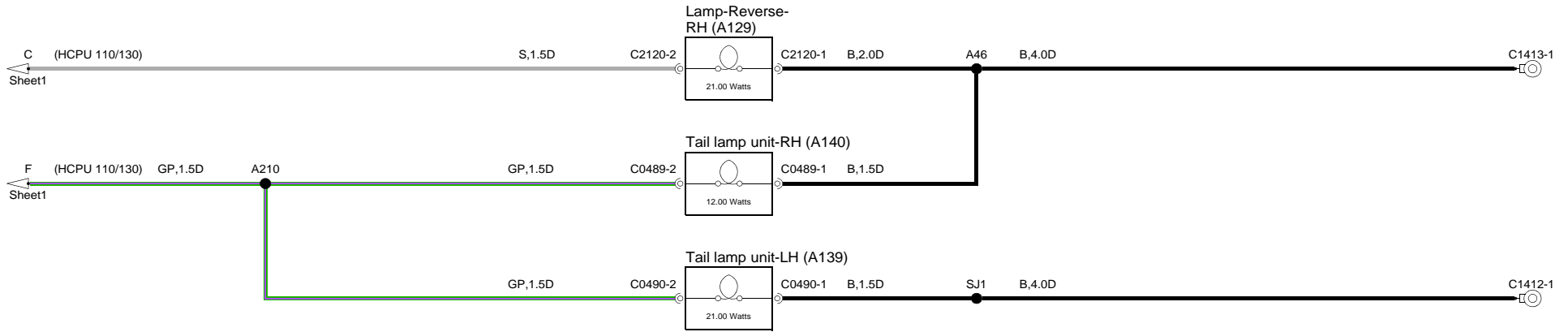


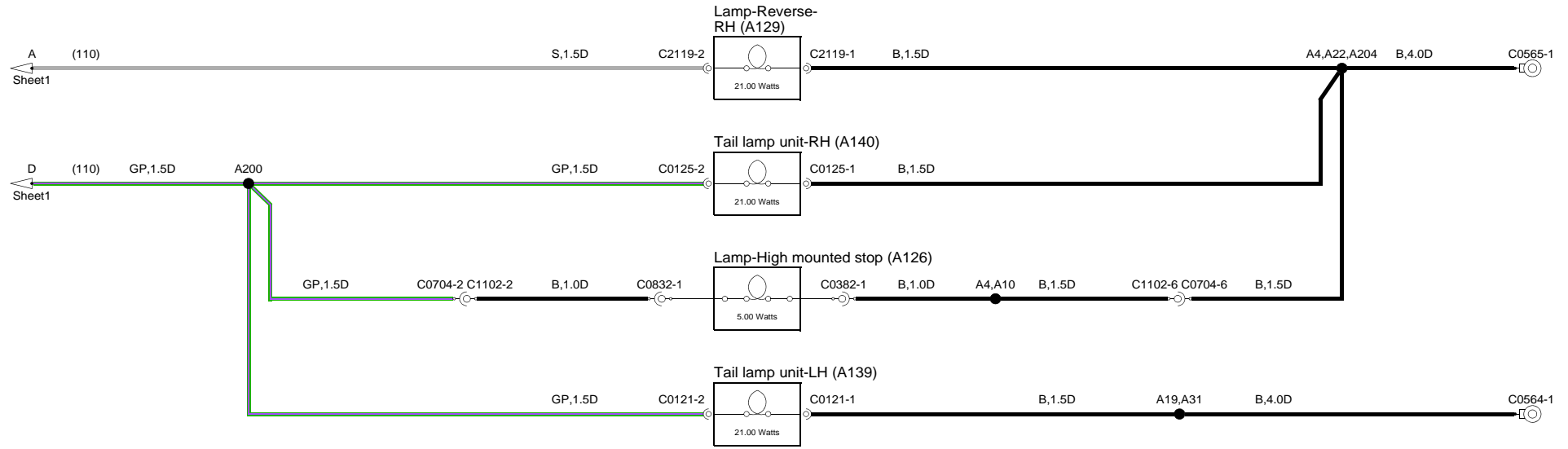


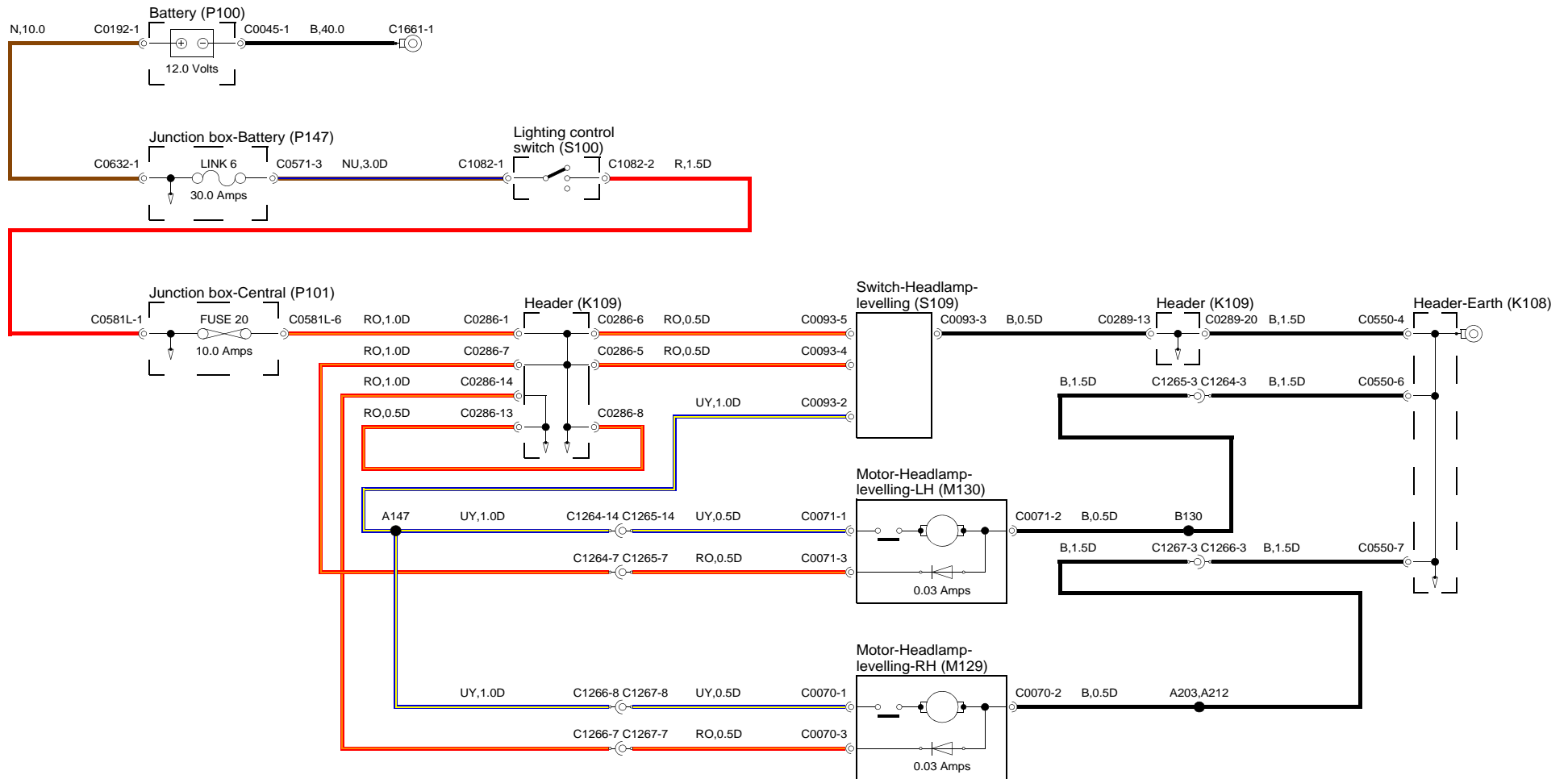


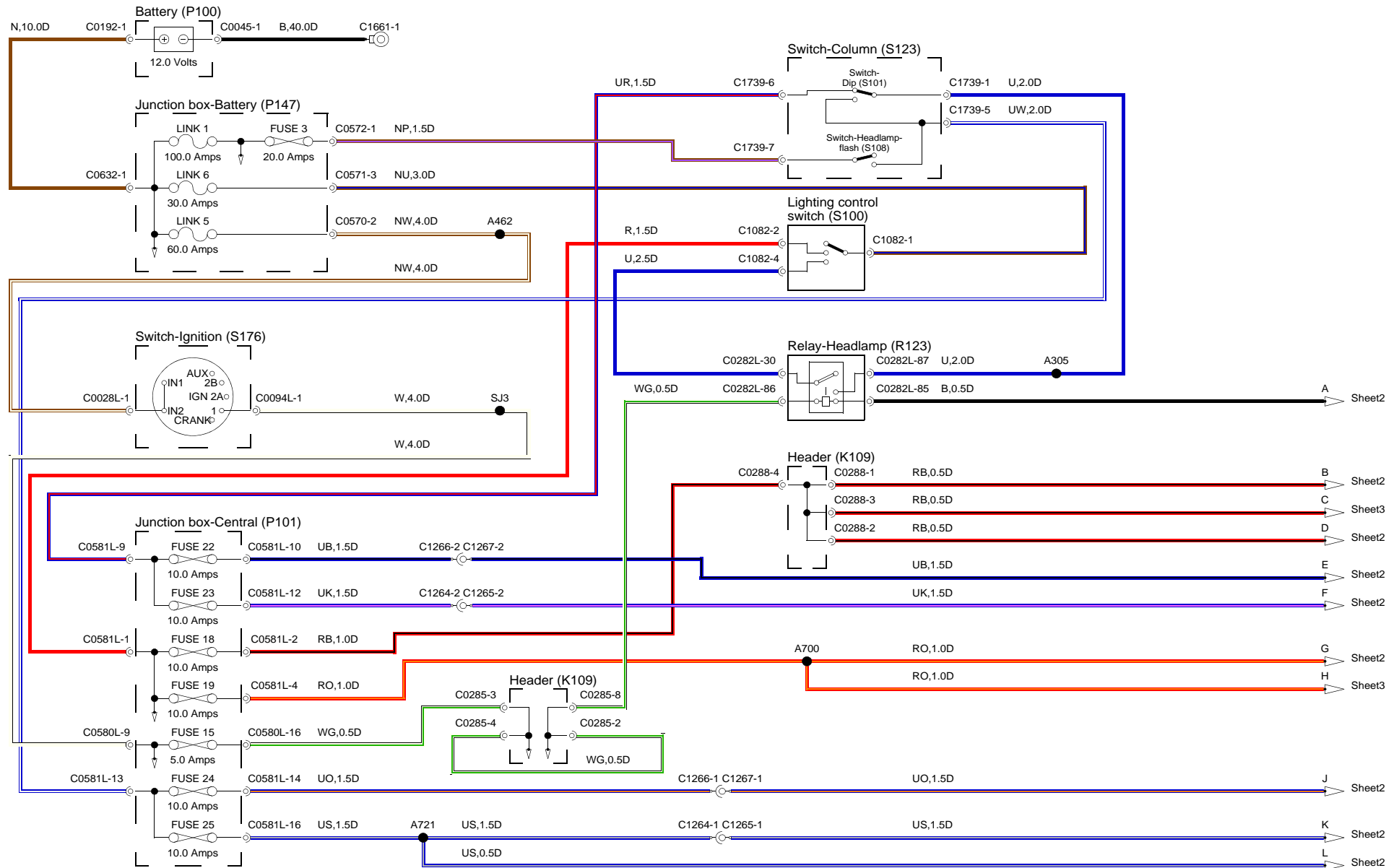


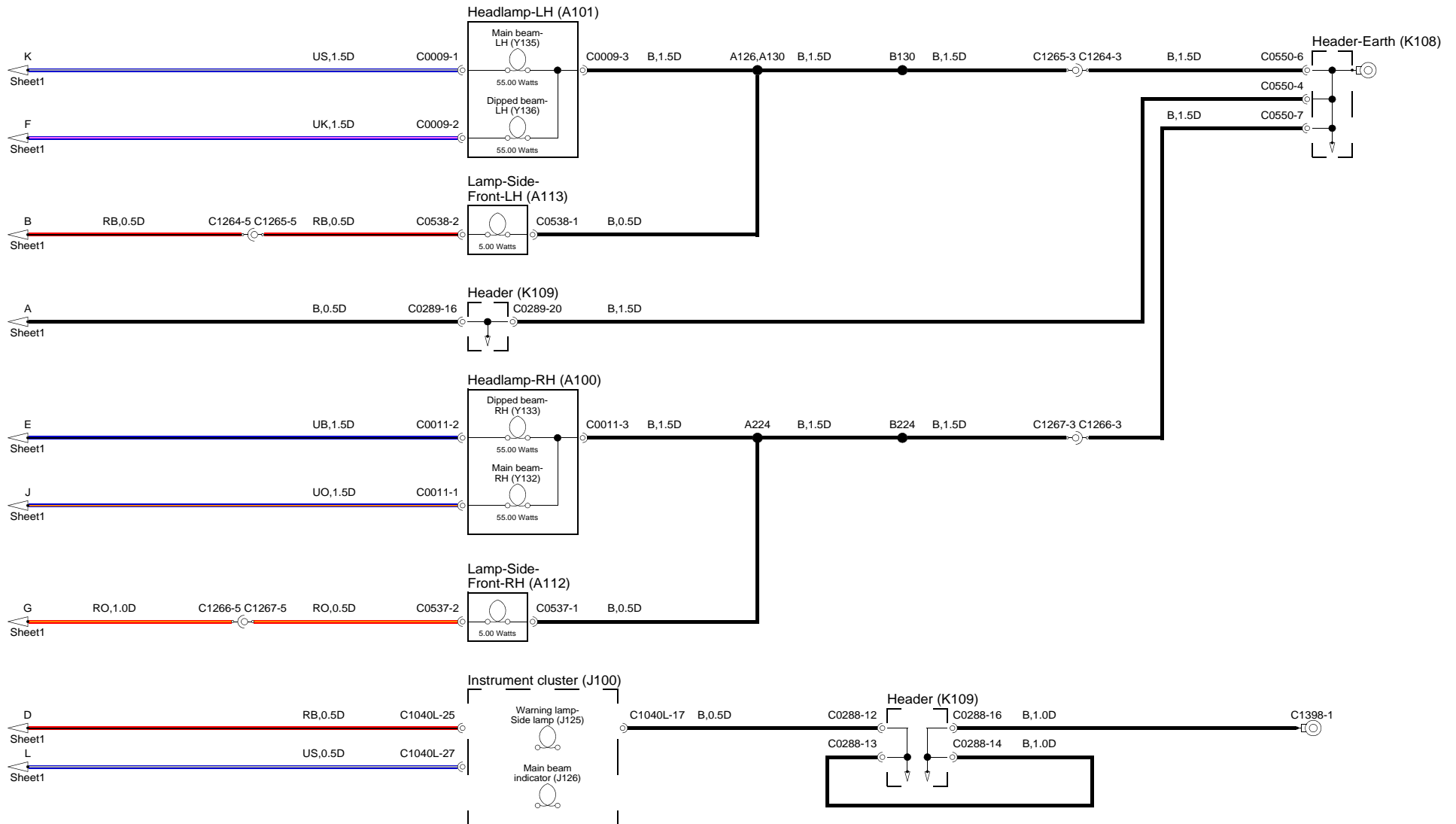


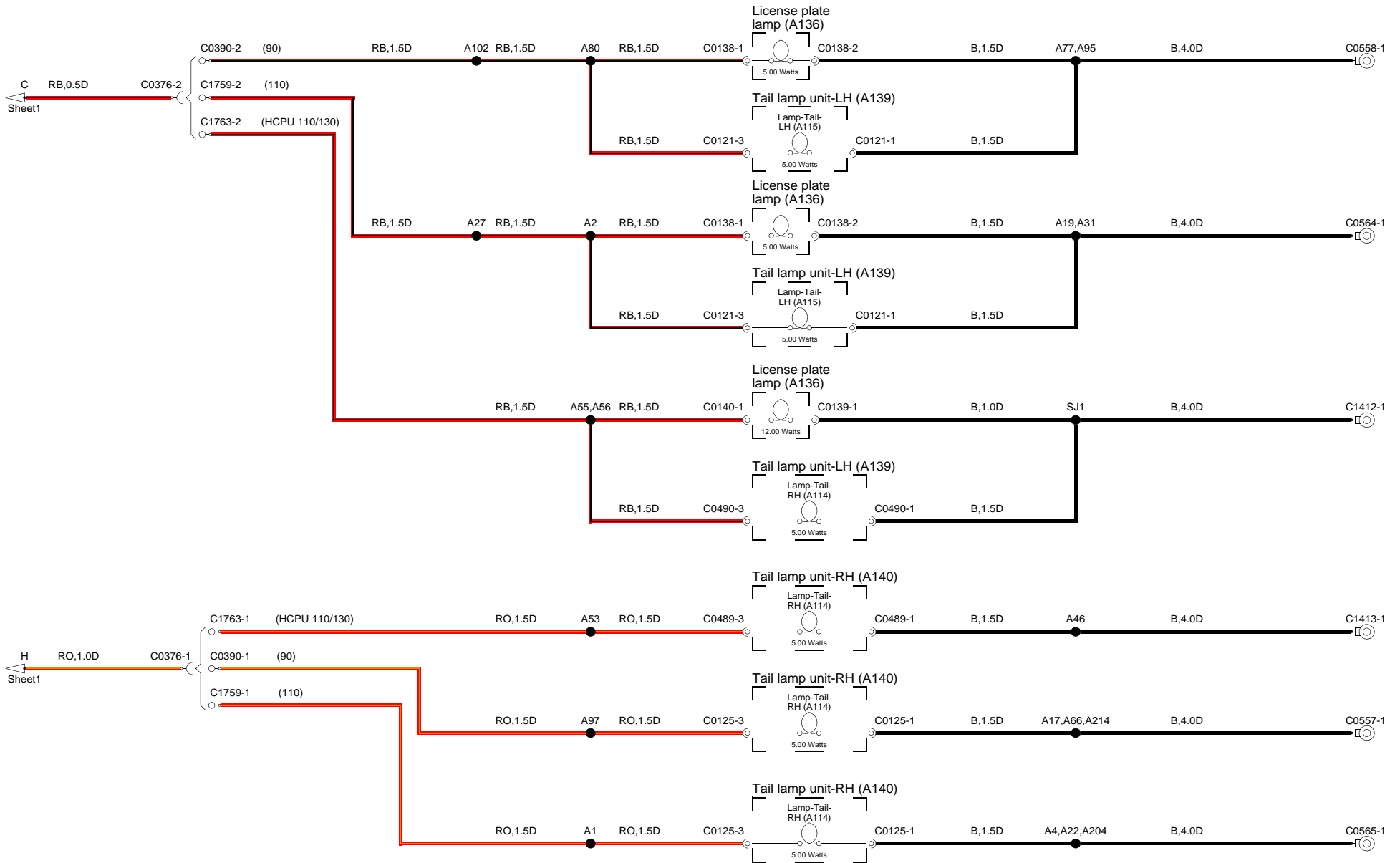




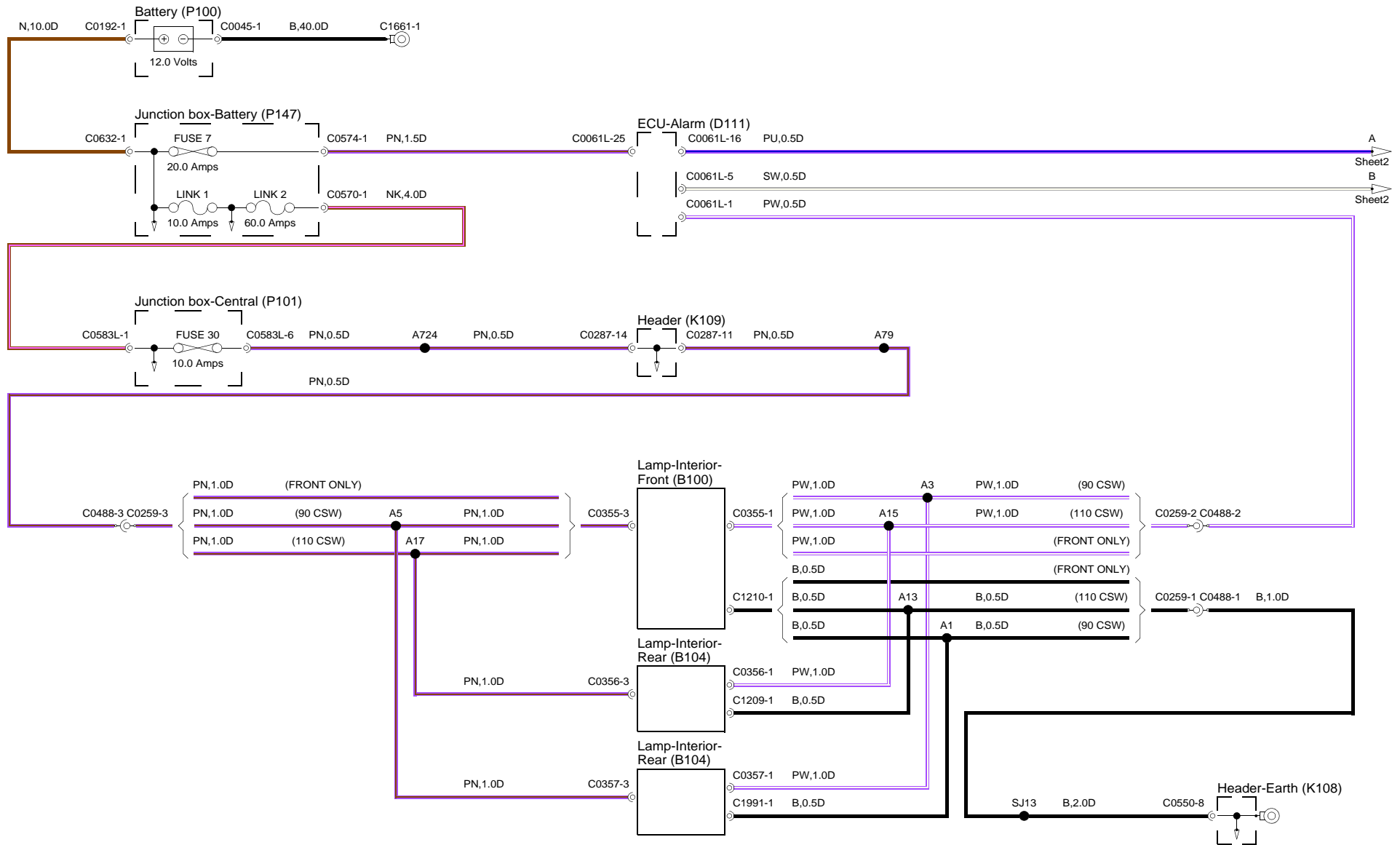


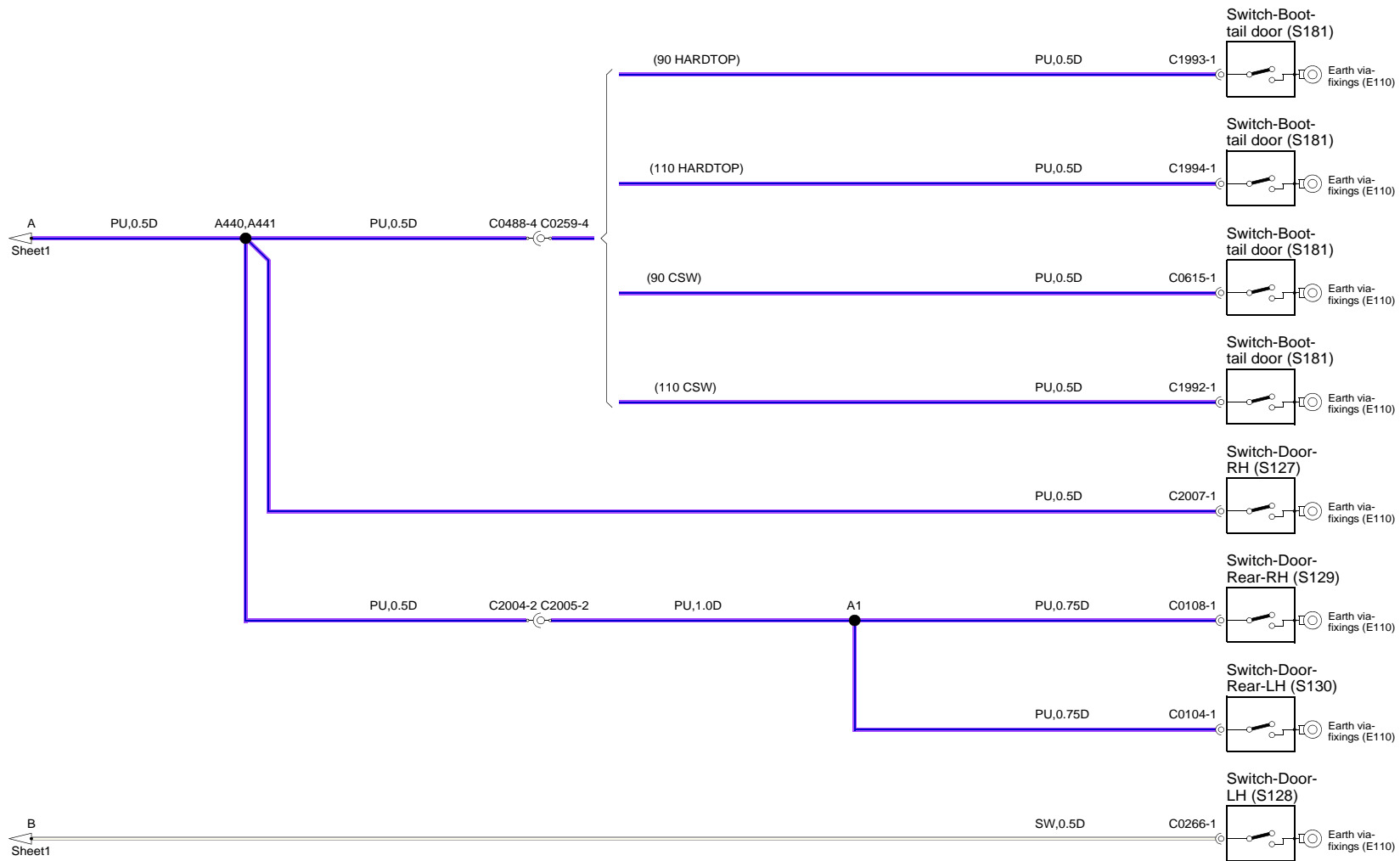


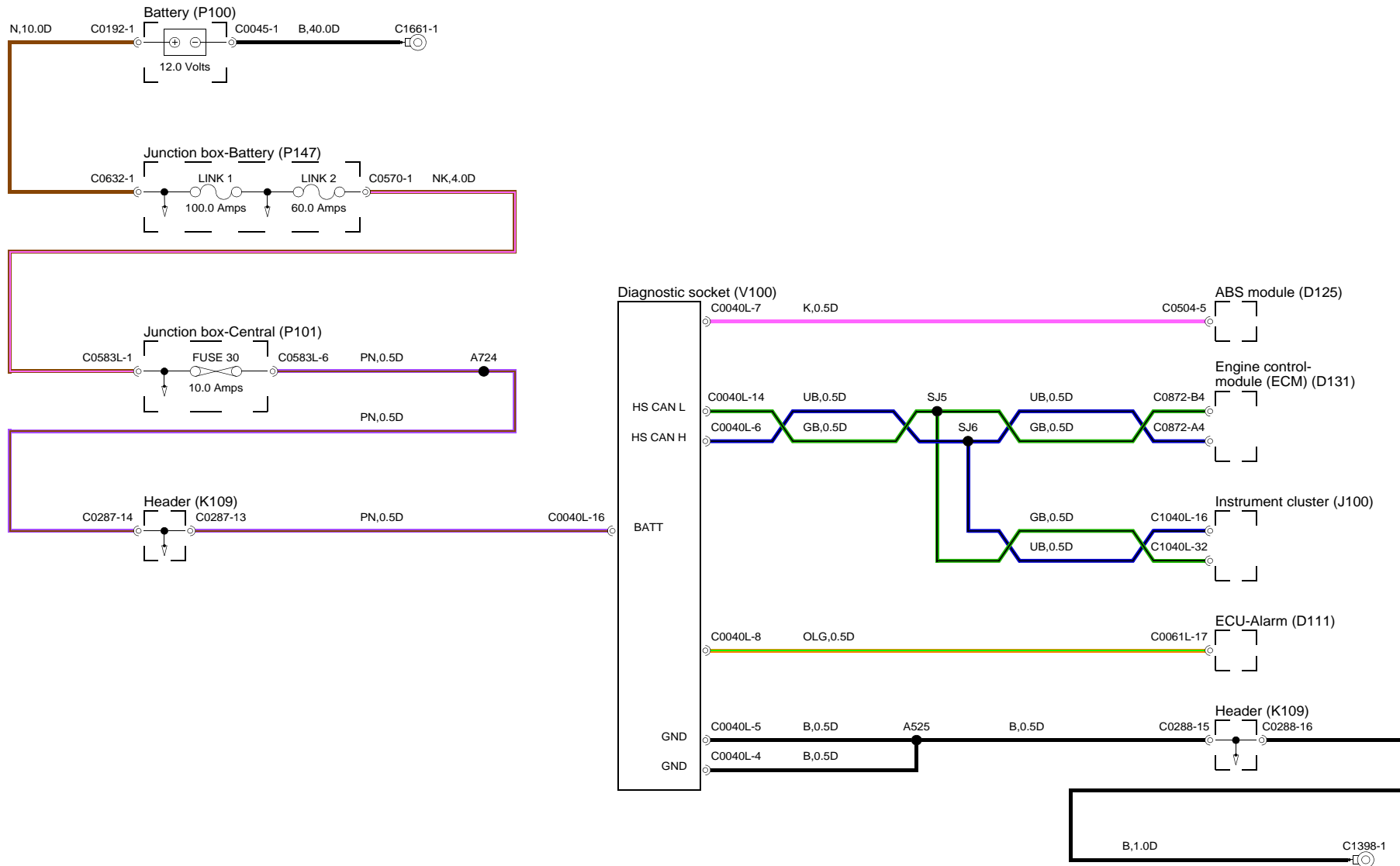


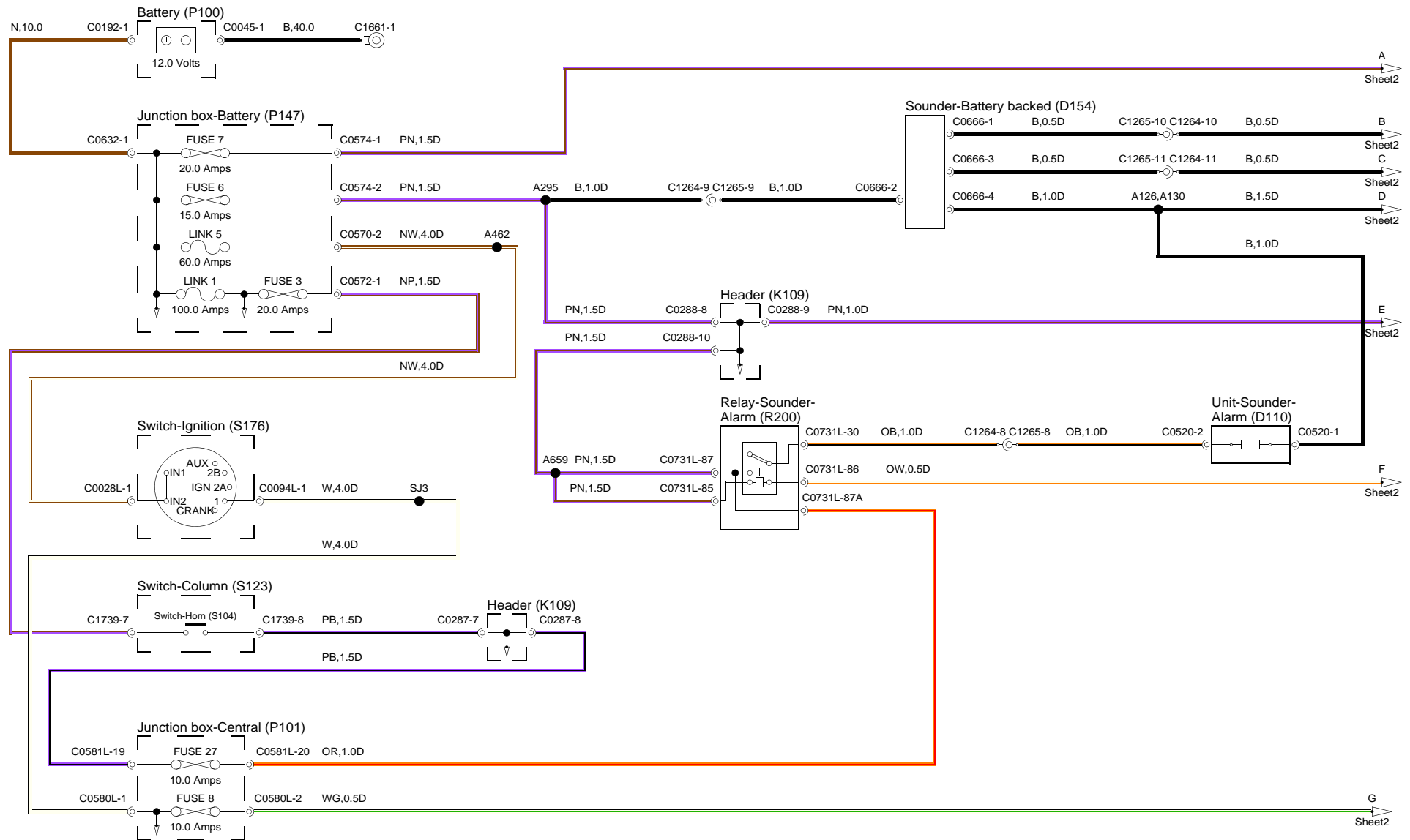


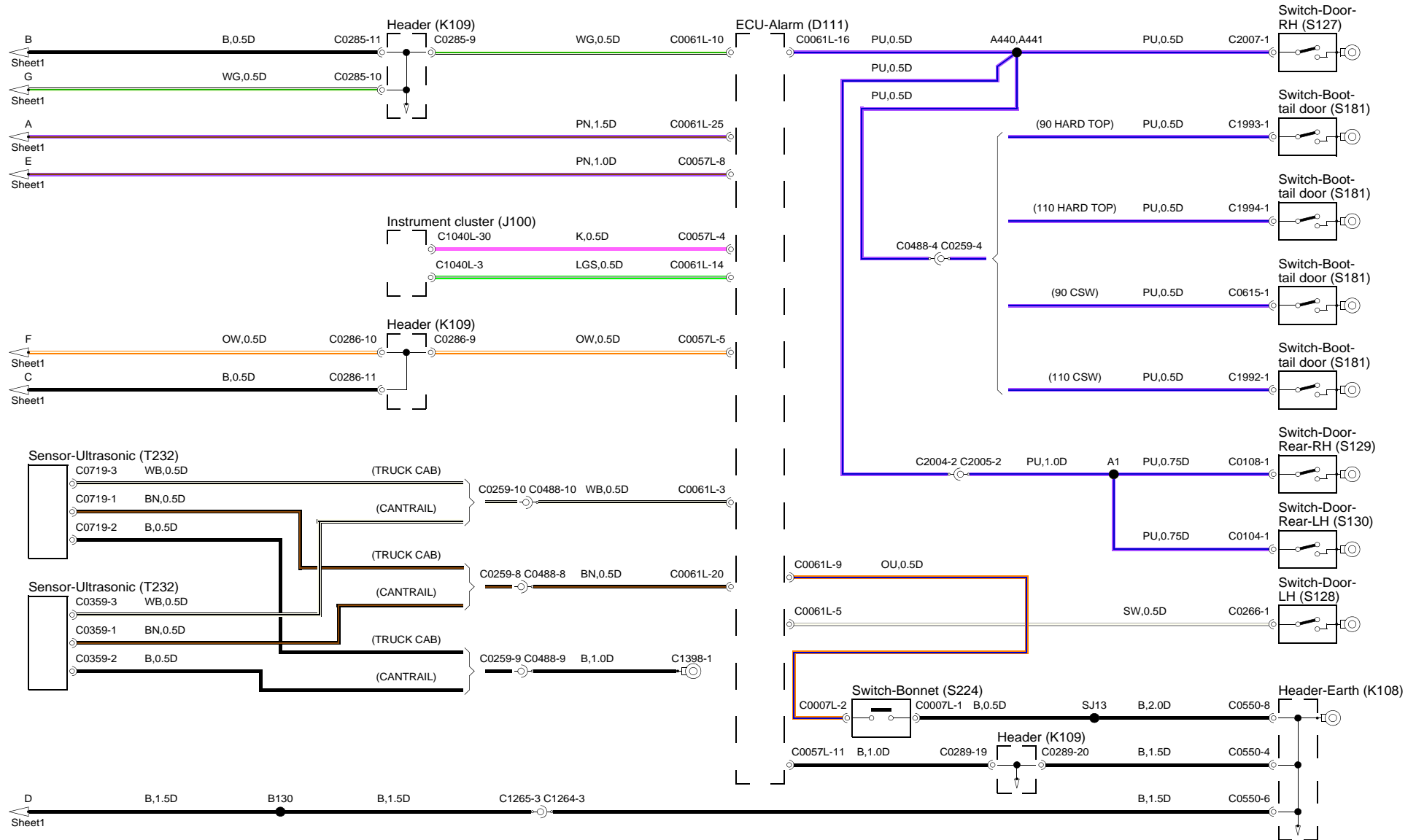
417-02 - INTERIOR LIGHTING

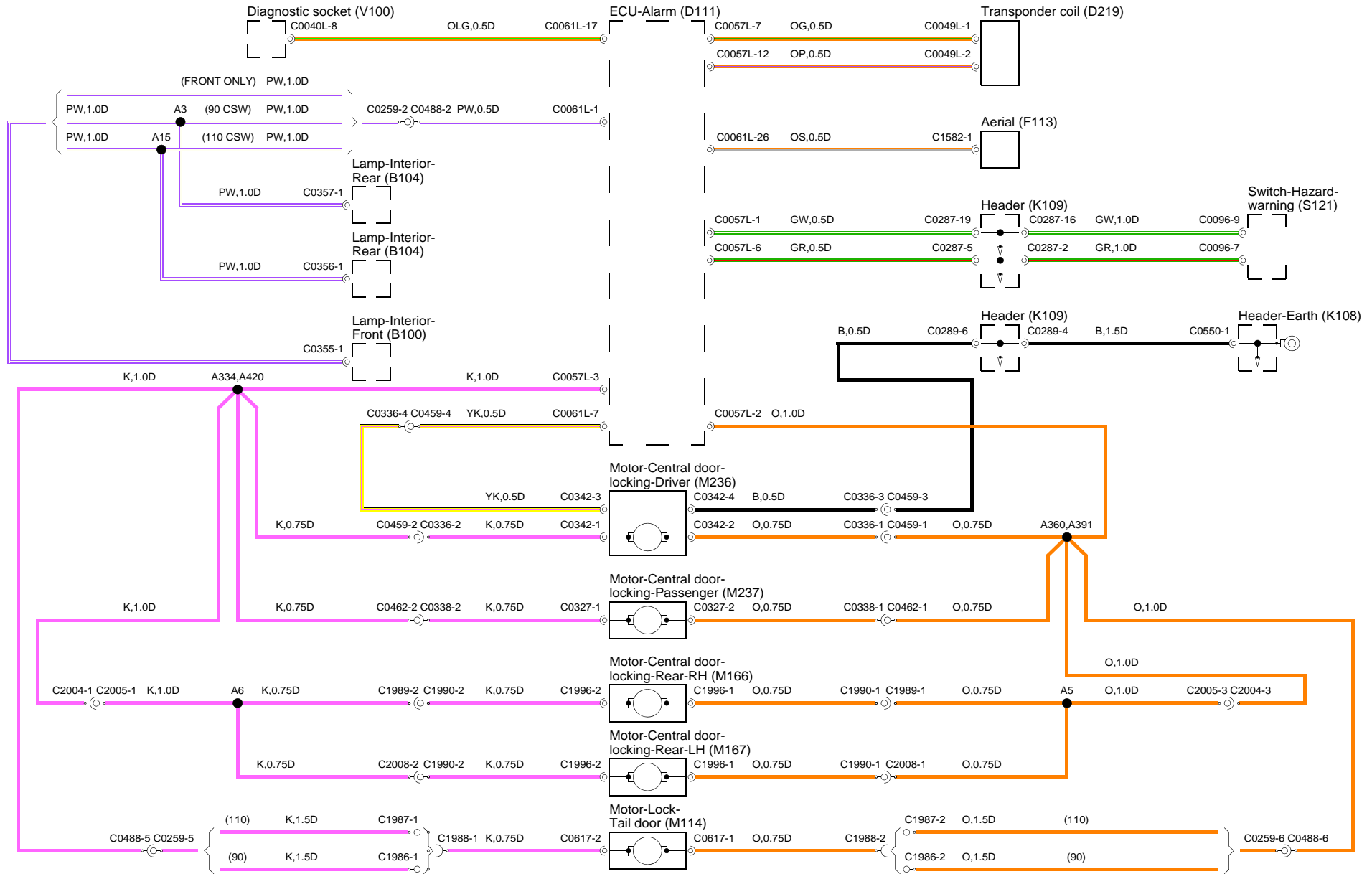


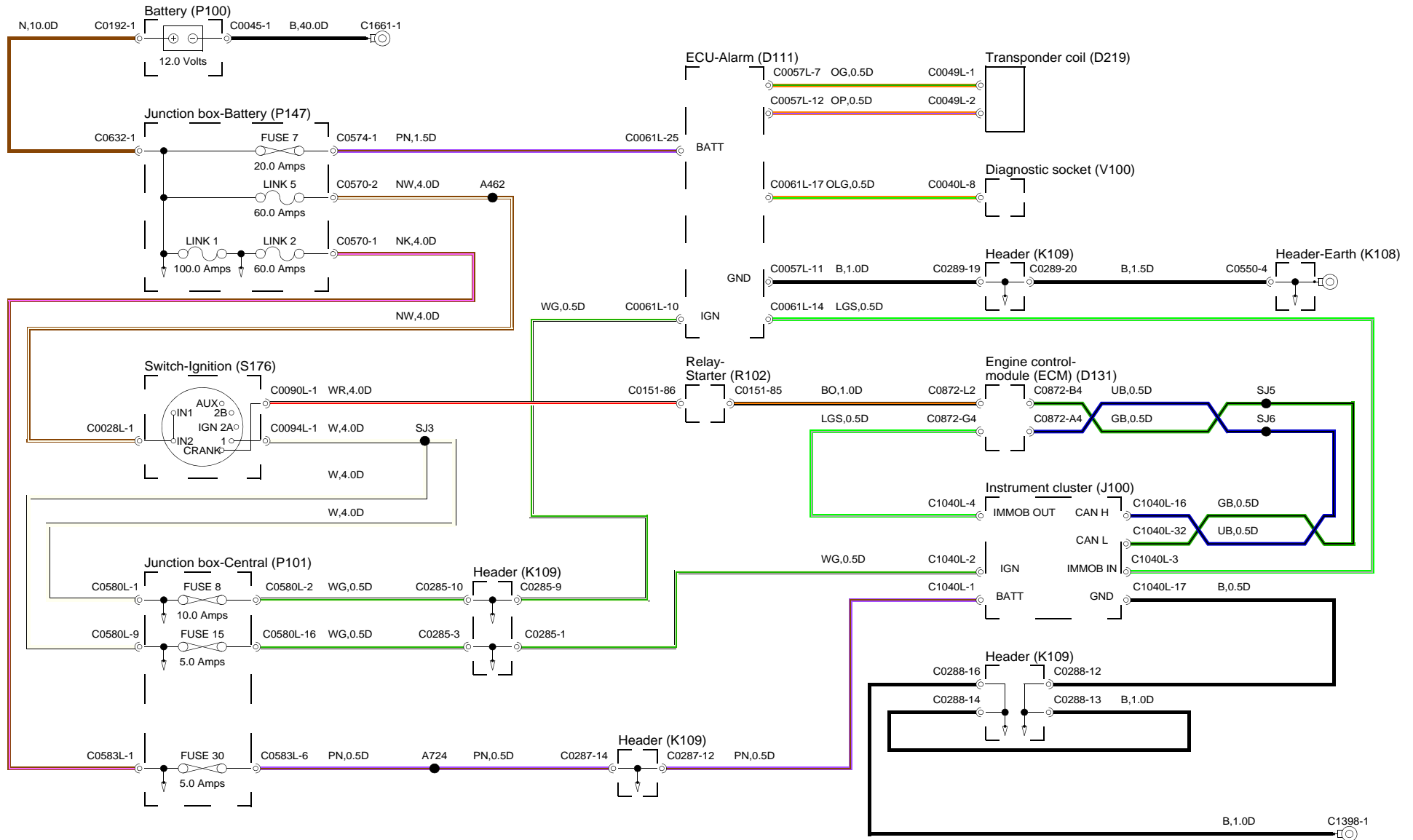


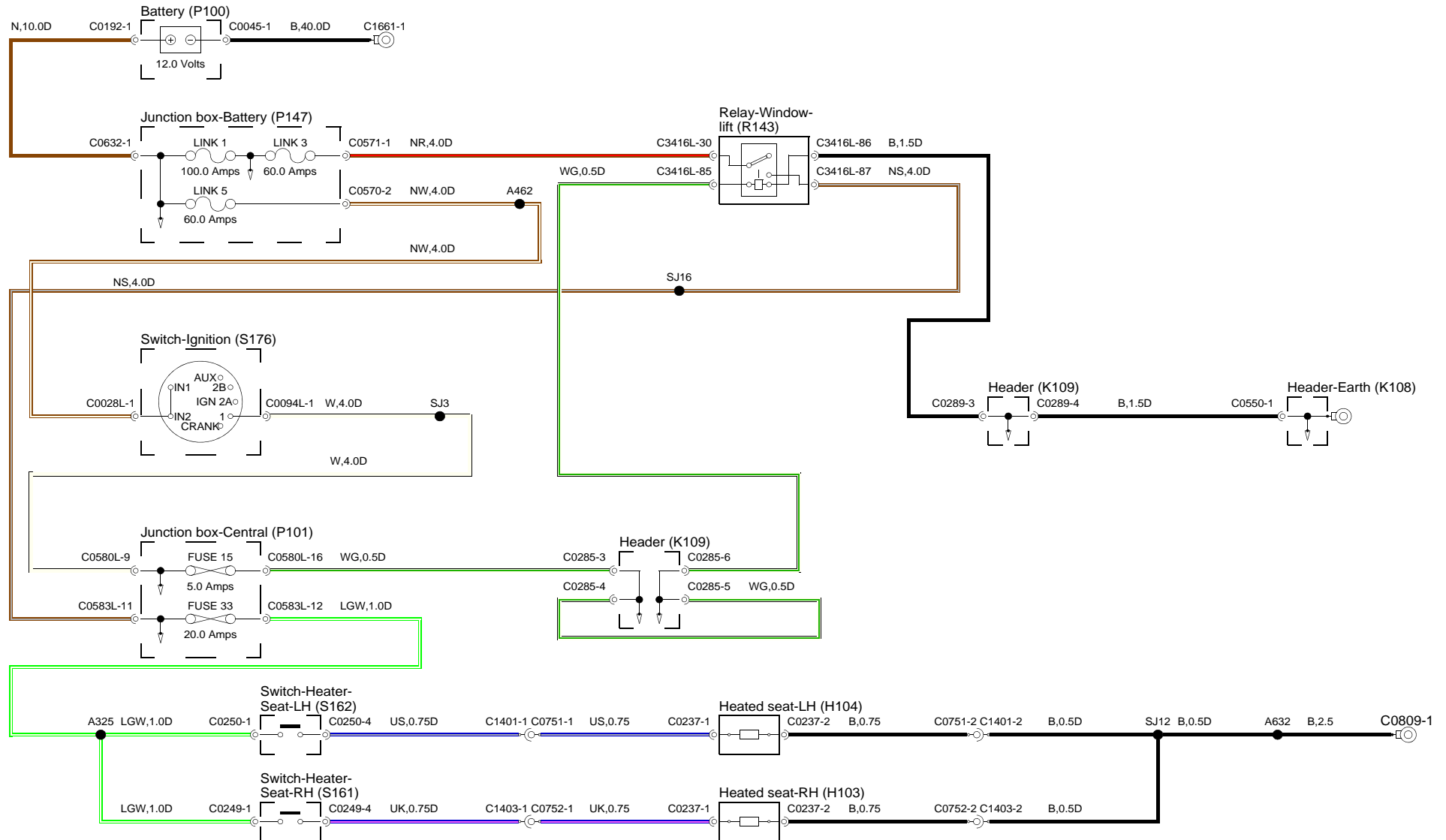


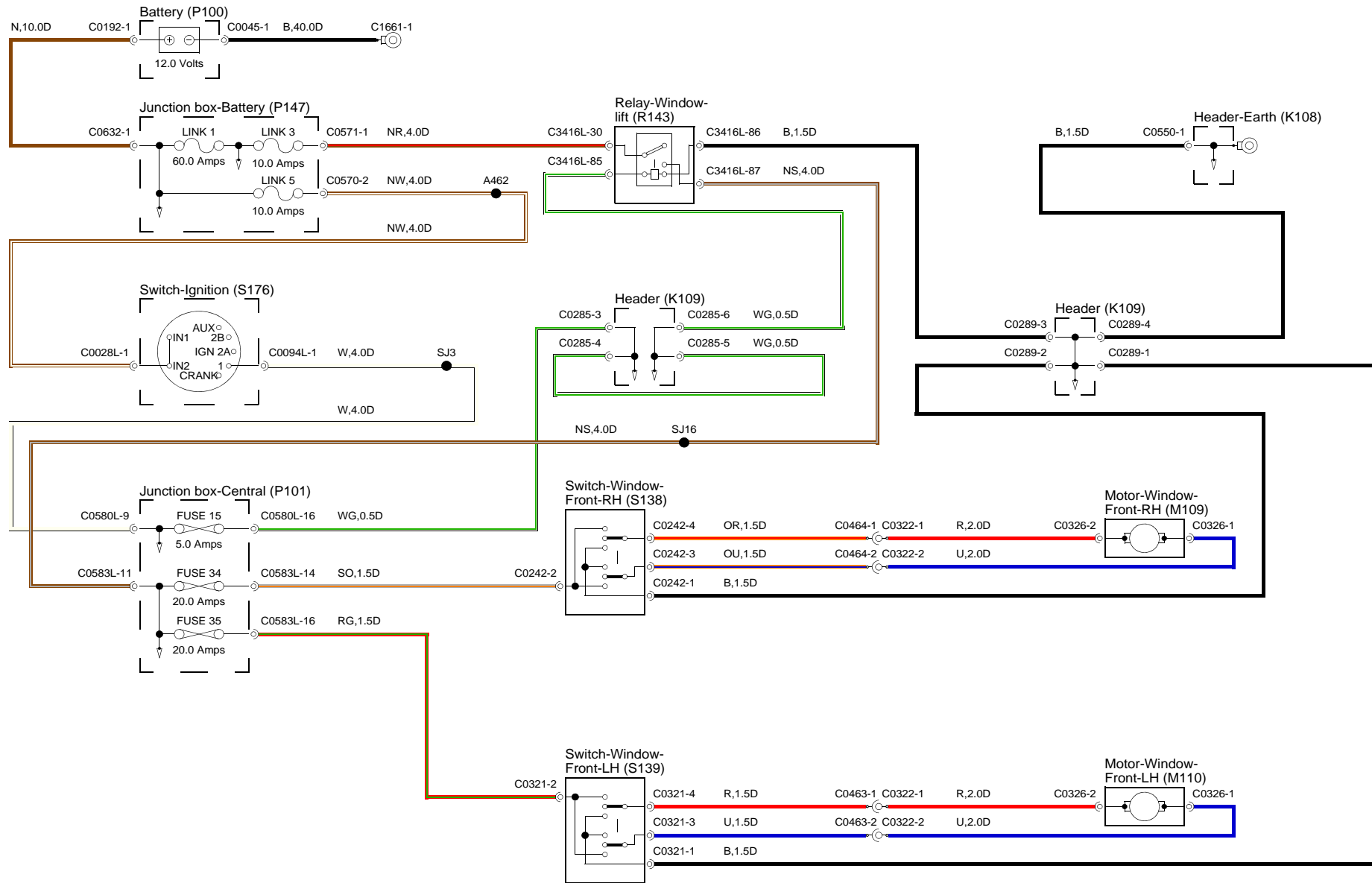


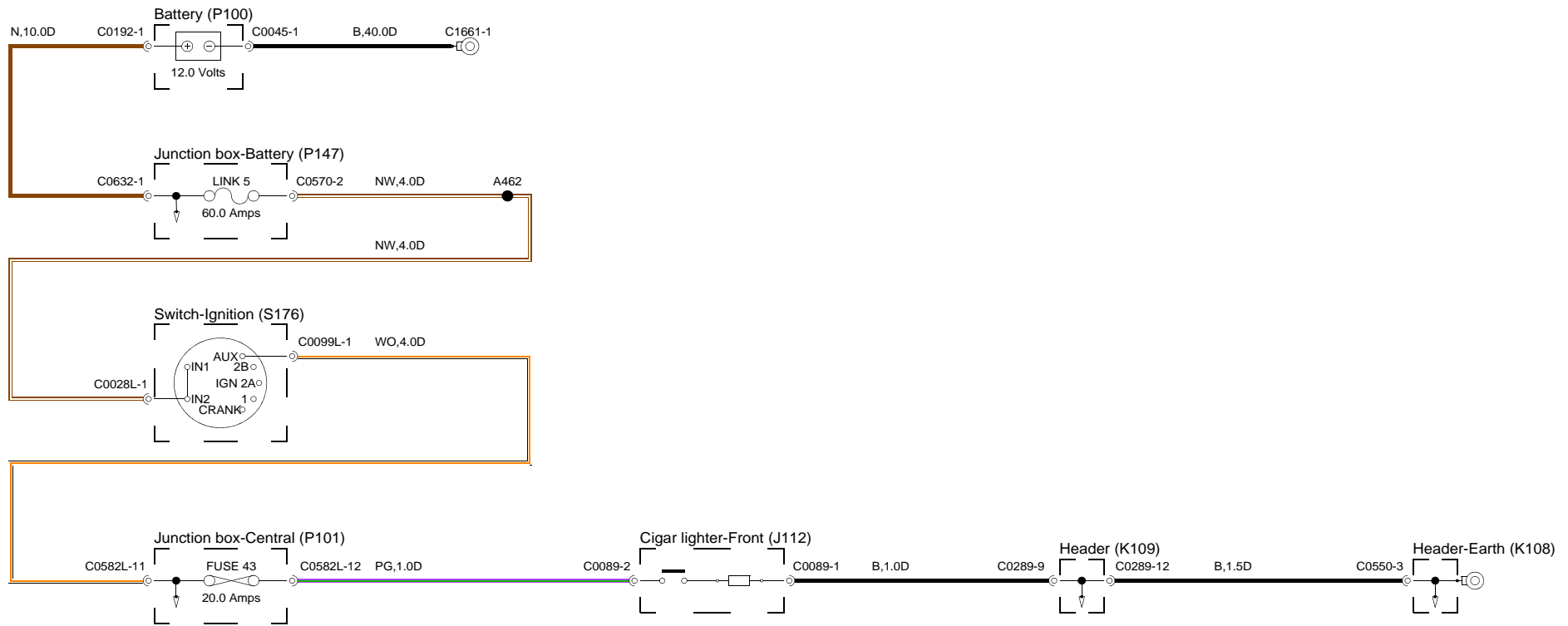












501-12 - INSTRUMENT PANEL AND CONSOLE

